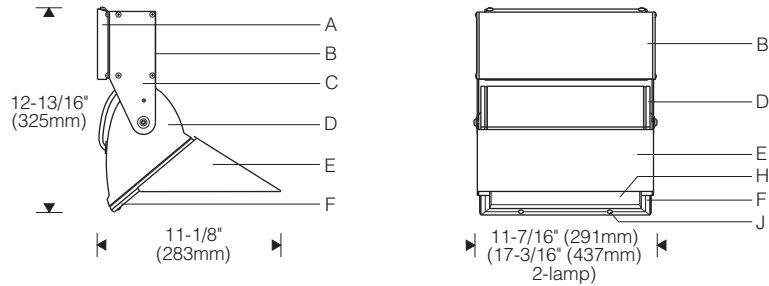
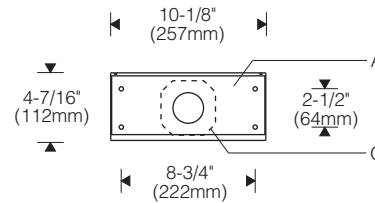


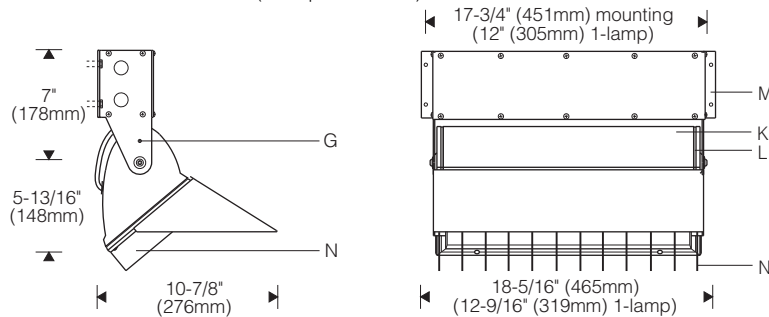
W Mount: Wall (1 lamp unit shown) 1:12 Scale



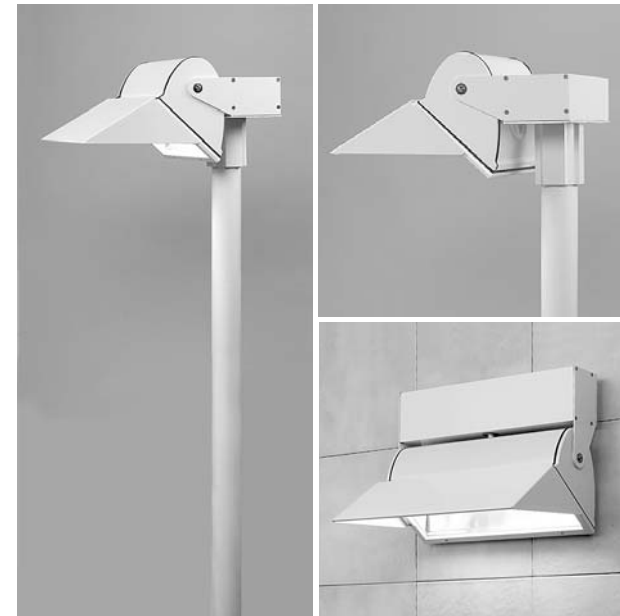
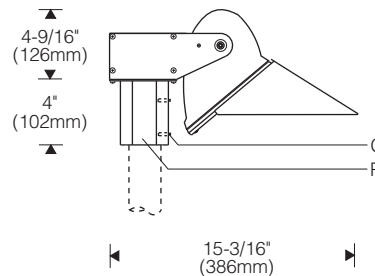
Wall Plate (W mount)



S Mount: Surface (2 lamp unit shown)



F Mount: Slipfitter



Specifications

- | | | | |
|---|--|---|---|
| A Stainless steel latch/hinge mounting plate (black) | F Mitred extruded aluminum door frame with silicone gasket | J Tamper-resistant captive door screws | M Mounting flange |
| B Extruded ballast housing | G Locking set screw | K Specular extruded aluminum reflector | N Accessory cross baffle |
| C Aluminum sidearms | H Clear, flat, thermal and impact resistant tempered glass lens | L Aluminum reveal plates (black) | O Outlet box (by others) |
| D Die-cast end plates | | | P Extruded aluminum slipfitter for 2-3/8" O.D. tenon or pole (by others) |
| E Cutoff visor (included) | | | |

Finish:

Exterior surfaces - 6 stage pretreatment and electrostatically applied thermoset polyester powder coating for a durable abrasion, fade and corrosion resistant finish. Choice of semi-gloss colors (see ordering information).

Reflector - extruded high purity aluminum with clear anodized specular finish. All hardware and components - non corrosive stainless steel or aluminum. Door secured with captive tamper-resistant (#10 Torx) screws in stainless steel threaded reflector inserts to prevent seizing.

Mounting:

W mount - latch/hinge mounting plate fastens over recessed outlet box and allows hands free access to splices. Wall mount only.

S mount - surface mount with flanged sidearms. 9/32" dia. (7mm) clearance holes for 1/4" fasteners (by others).

F mount - slipfitter mounts over 2-3/8" O.D. stanchion, pole or tenon (by others).

Electrical:

Use 90°C wire for supply connections. Leads exit reflector and enter ballast housing through watertight flush cord entries and silicone coated fiberglass sleeving.

W mount - leads for splicing inside recessed outlet box.

S mount - internal splice compartment with four 7/8" dia. conduit entries (conduit, fittings by others). Gasketed aluminum cover allows access to splices and ballast.

F mount - 10" (0.25m) leads exposed within slipfitter for splicing inside stanchion, pole or tenon. For mounting atop poles higher than 8', specify **OS** option; see ordering information.

Twist and lock 4-pin lampholder(s) for secure and easy relamping. Integral electronic HPF thermally protected class P ballast rated for 0°F / -18°C starting.

For complete ballast specifications, see Accessories Section.

Standard:

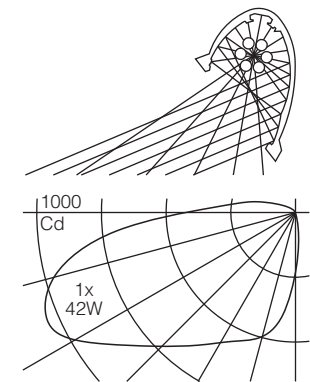
UL listed or CSA certified for wet locations.

Features

- Hex tube fluorescent with integral electronic ballast - low energy, great color, long life incandescent substitute
- Superior performance produces broad wash of light - ideal for 8' to 12' poles, illuminating landscaping, walkways
- Durable and secure - thermal and impact resistant lens, tamper-resistant fasteners, set screw in yoke locks aiming

Performance

Two parabolic reflector sections drive light across the ground plane from one edge. An elliptical section redirects its light to a parabola and shields the lamp. Asymmetry is maximized resulting in high beam efficiency and superior surface uniformity. The fast "runback" minimizes wasted spill and trespass light. Wide lateral distribution permits greater spacings.



For complete photometrics, visit www.elliptipar.com.



To form a Catalog Number

F | 1 | 6 | 2 | - H | | | - | | - | | - V | | |
 1 | 2 | 3 | 4 | 5 | 6 | 7 | 8


1 Source

F = Hex tube compact fluorescent

2 Style

162 = Large outdoor, integral ballast

3 Lamp

Lamp Code	Wattage	Lamp Number
Hex Tube Compact Fluorescent 		
H132	1x32W	CFTR32W/GX24q
H142	1x42W	CFTR42W/GX24q
H232	2x32W	(2) CFTR32W/GX24q
H242	2x42W	(2) CFTR42W/GX24q

For complete lamp and ballast information, see Accessories Section. Standard hex tube lamp color is 3000K / 80+ CRI.

4 Mounting

- W = Latch/hinge mounting plate fastens over recessed outlet box. Wall mount only.
- S = Surface mounting. Internal splice compartment with (4) 7/8" dia. conduit entries.
- F = Slipfitter for 2-3/8" O.D. stanchion, pole or tenon. For pole higher than 8' (2.4m), specify VS option code.

5 Finish

- 02 = Semi-gloss white
- 06 = Dark bronze
- 07 = Silver
- 08 = Semi-gloss black
- 12 = Green
- 99 = Custom RAL or computer matched color to be specified, consult sales representative.

6 Voltage/Ballast

- Electronic
- 1 = 120V
- 2 = 277V

Project: _____

7 Option (See Accessories Section for specifications)

- V0 = Cutoff visor included, no other options.
- VL = Micro-prismatic tempered glass lens (replaces clear flat lens, offers smoother light pattern at reduced peak candlepower).
- VS = F Mount slipfitter for mounting on pole higher than 8' (2.4m). Supplied with 20' (6m) wire leads for supply connections at base of pole.
- VX = For modifications not listed, include detailed description. Consult factory prior to specification.

Note: Cutoff visor included unless specified otherwise.

8 Standard

- 0 = UL, Underwriters Laboratories
- J = CSA, Canadian Standards Association

Example

F162 - H142 - F - 02 - 1 - VS0

Large outdoor model for use with one 42 watt hex tube compact fluorescent lamp (3000K lamp included). Slipfitter for use on 2-3/8" O.D. pole or tenon (by others). Semi-gloss white powder coat finish. Integral 120V electronic ballast. Cutoff visor. Extended leads for pole higher than 8' (2.4m). UL.

Type: _____

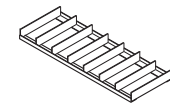
Accessories

Order separately. See Accessories Section for specifications.

AE | V | ODO = External vertical blade baffle, black, for lengthwise shielding of lens

- 2 = 25° shielding
- 4 = 45°

- C = 1-lamp unit
- D = 2-lamp unit



AFK000X | = Ballast fuse kit

- 0 = UL
- J = CSA

