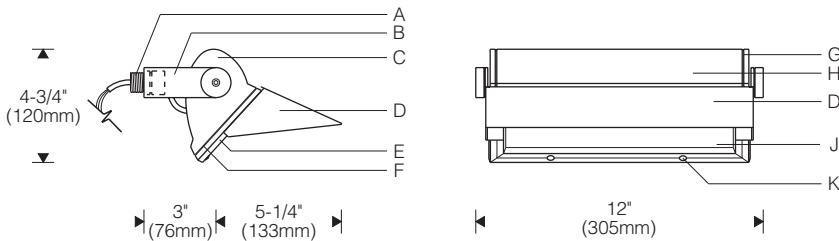
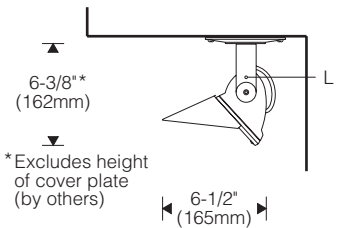


**V Mount** 1:8 Scale



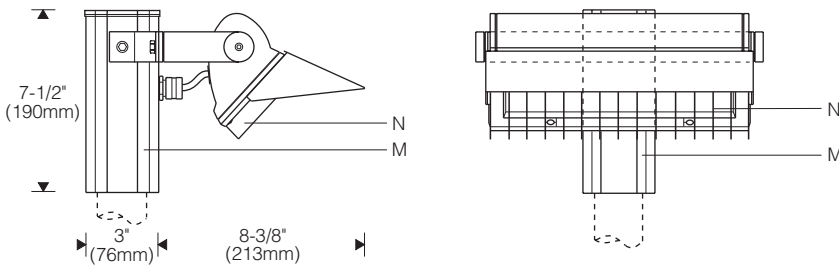
**V Mount** 1:12 Scale  
(shown mounted under soffit/overhang)



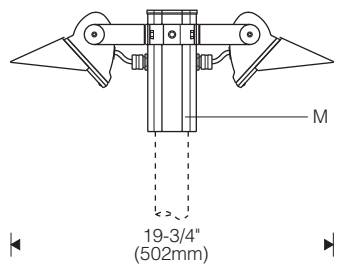
\* Excludes height of cover plate (by others)



**Slipfitter: Single Unit** 1:8 Scale (For use with X Mount)



**Slipfitter: Double** 1:12 Scale



**Specifications**

- |   |   |  |   |
|---|---|--|---|
| <b>A</b> 1/2" NPT nipple                  | <b>E</b> Mitred extruded aluminum door frame    | <b>H</b> Specular extruded aluminum reflector                              | <b>L</b> Locking set screw  |
| <b>B</b> Aluminum yoke                    | <b>F</b> Precured silicone door and lens gasket | <b>J</b> Micro-prismatic, thermal and impact resistant tempered glass lens | <b>M</b> Accessory extruded aluminum slipfitter for 2-3/8" O.D. tenon or pole |
| <b>C</b> Die-cast end aluminum plates     | <b>G</b> Aluminum reveal plates (black)         | <b>K</b> Tamper-resistant captive door screws                              | <b>N</b> Accessory vertical blade cross baffle (black)                        |
| <b>D</b> Aluminum cutoff visor (included) |   |  |   |

**Finish:**

Exterior surfaces – 6 stage pretreatment and electrostatically applied thermoset polyester powder coating for a durable abrasion, fade and corrosion resistant finish. Choice of semi-gloss colors (see ordering information).

Reflector – extruded high purity aluminum with clear anodized specular finish. All hardware and components – non-corrosive stainless steel or aluminum. Door secured with captive tamper-resistant (#10 Torx) screws in stainless steel threaded reflector inserts to prevent seizing. Yoke attaches with recessed hex socket screws.

**Mounting:**

1/2" NPT nipple (wet location outlet box and outlet box cover or fitting by others).

Accessory slipfitter (ordered separately) for 2-3/8" O.D. pole, tenon or stanchion (by others). Side-mount for single or double (back-to-back) units, specify **X** mount.

**Electrical:**

Use 90°C wire for supply connections. Leads exit reflector through watertight flush cord entry and silicone coated fiberglass sleeving with 8" (.2m) exposed beyond nipple. 60" (1.5m) leads for **X** mount.

Tungsten halogen – recessed single contact (RSC) or DC bayonet lampholders retained with patented clamping supports for maximum heat dissipation.

Metal halide – G12 lampholder for use with single ended lamp. Remote high reactance autotransformer ballast (-20°F/-30°C starting) or electronic ballast (5°F/-15°C starting). Die-cast aluminum weatherproof ballast enclosure includes four 1/2" NPT threaded entries. Electronic ballast provides improved voltage regulation, energy savings and automatic shut-off feature to eliminate end-of-life lamp cycling. Optional remote ballast for dry indoor location.

For complete ballast specifications, see Accessories Section.

**Standard:**

UL listed or CSA certified for wet locations.

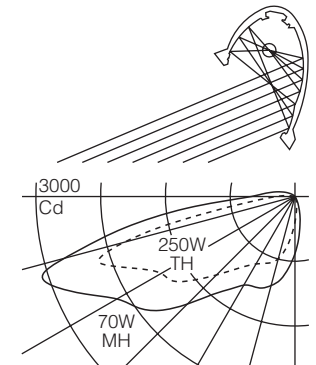
**Features**

- High performance asymmetric lighting for broad areas where pedestrian scale, controlled distribution are desired
- Compact yet powerful – up to 250W halogen, 150W MH
- Durable and secure – thermal and impact resistant lens, tamper-resistant fasteners, set screw in yoke locks aiming
- Non-corrosive – aluminum and stainless steel construction



**Performance**

Two parabolic reflector sections drive light across the ground plane from one edge. An elliptical section redirects its light to a parabola and shields the lamp. Asymmetry is maximized resulting in high beam efficiency and superior surface uniformity. Fast "runback" minimizes wasted spill and trespass light. Wide lateral distribution permits greater spacings.



For complete photometrics, visit [thelightingquotient.com](http://thelightingquotient.com)

