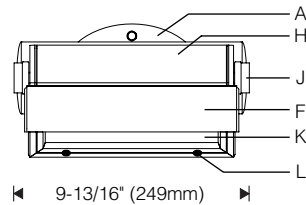
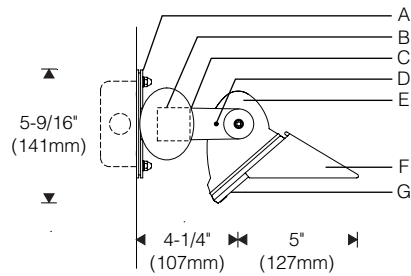
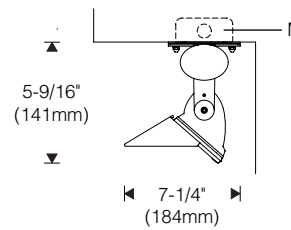


S Mount 1:8 Scale

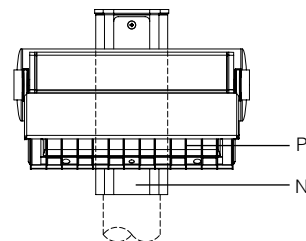
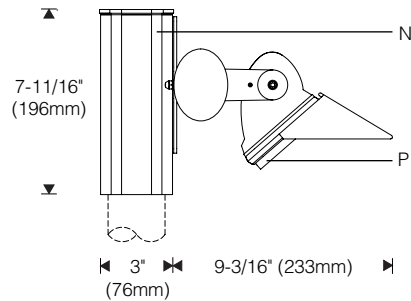


S Mount 1:12 Scale
(shown mounted under soffit/overhang)

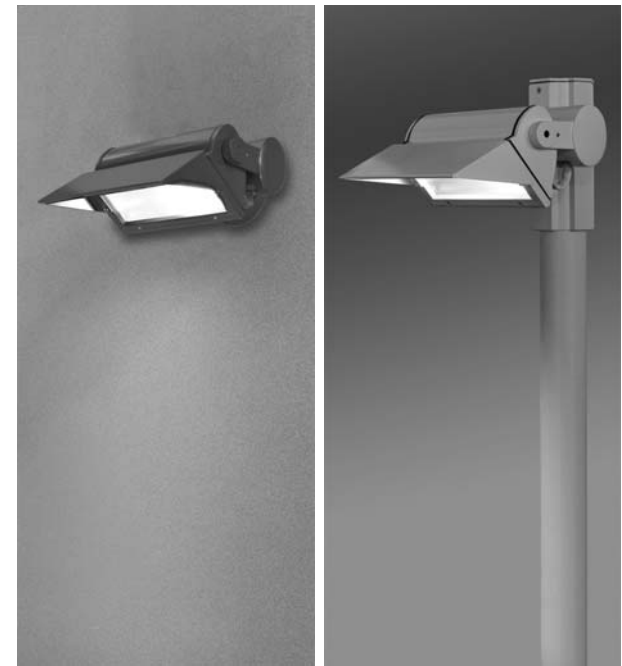
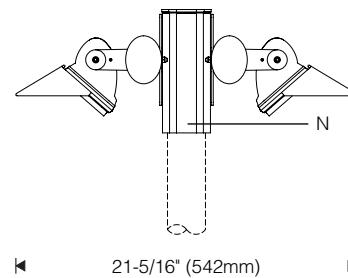


Slipfitter - Single Unit

(for use with X Mount)



Double Unit 1:12 Scale
(on slipfitter, X Mount)



Specifications

- | | | | |
|---|--|---|---|
| A Stainless steel canopy, mounting plate, cap nuts | E Die-cast aluminum end plates | H Specular extruded aluminum reflector | M Recessed outlet box (by others) |
| B Integral electronic ballast | F Aluminum cutoff visor (included) | J Aluminum decorative knobs | N Accessory extruded aluminum slipfitter for 2-3/8" O.D. tenon or pole |
| C Die-cast aluminum ballast housing and side arms | G Mitred extruded aluminum door frame | K Microprismatic tempered glass lens | P Accessory vertical blade cross baffle (black) |
| D Locking set screw | | L Tamper-resistant captive door screws | |

Finish:

Exterior surfaces – 6 stage pretreatment and electrostatically applied thermoset polyester powder coating for a durable abrasion, fade and corrosion resistant finish. Choice of semi-gloss colors (see ordering information).

Reflector – extruded high purity aluminum with clear anodized specular finish. All hardware and components – non-corrosive stainless steel or aluminum. Door secured with captive tamper-resistant (#10 Torx) screws in stainless steel threaded reflector inserts to prevent seizing. Yoke attaches with recessed hex socket screws.

Mounting:

Stainless steel mounting plate compatible with most recessed and surface mounted wet-location outlet boxes (4" round or single gang rectangular weatherproof outlet box by others). Stainless steel oval canopy attaches to mounting plate with stainless steel hardware.

Aluminum slipfitter mounting assemblies ordered separately; specify X mount. Suitable backing structure required.

Electrical:

Use 90°C wire for supply connections. Leads exit reflector and enter ballast housing through watertight flush cord entry and silicone coated fiberglass sleeving.

S mount – provided with 8" (0.2m) leads exposed for supply connections at recessed or surface outlet box.

X mount – provided with 60" (1524mm) leads exposed for slipfitter mounting over recessed outlet box.

G12 lampholder for use with single ended lamp.

Integral electronic HPF ballast offers improved voltage regulation and color stability. Automatic shutoff feature eliminates end-of-life lamp cycling.

For complete ballast specifications, see Accessories Section.

Standard:

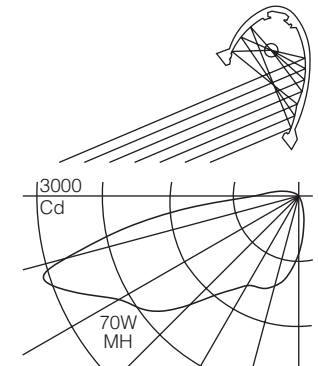
UL listed or CSA certified for wet locations.

Features

- High performance asymmetric lighting for broad areas where pedestrian scale, controlled distribution are desired
- Compact yet powerful – up to 70W ceramic metal halide
- Ceramic metal halide – warm color, high CRI, long life
- Integral electronic ballast – precise lamp regulation
- Surface or slipfitter mounting options

Performance

Two parabolic reflector sections drive light across the ground plane from one edge. An elliptical section redirects its light to a parabola and shields the lamp. Asymmetry is maximized resulting in high beam efficiency and superior surface uniformity. Fast "runback" minimizes wasted spill and trespass light. Wide lateral distribution permits greater spacings.



For complete photometrics, visit thelightingquotient.com



Cradle to Cradle Certified™ is a certification mark licensed by the Cradle to Cradle Products Innovation Institute.



