

Packaged Items:

- (2) TMHDW wall brackets.
- (4) Adhesive cord management clips.

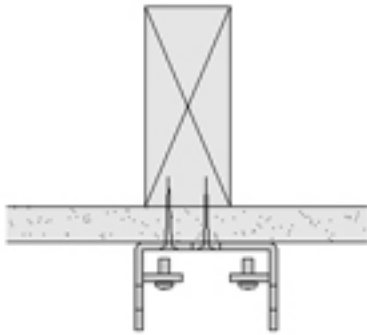
Required Additional Items:

- Tambient luminaire with mounting slot.
- Mounting screws.

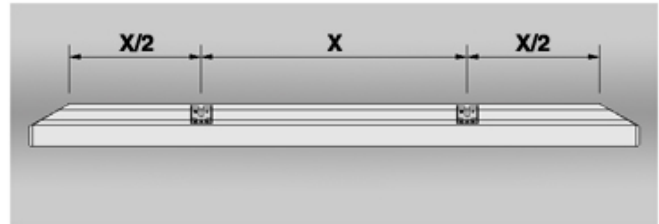
Required Tools:

- Small torpedo level, tape measure, #2 Phillips screwdriver, drill.

Application Notes:

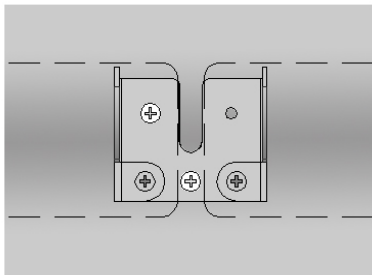


Mount Wall Bracket directly to stud within wall construction or provide blocking. Mounting hardware by others.

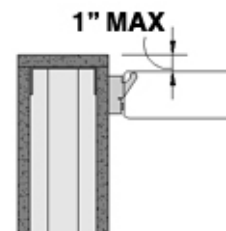


Luminaires can extend beyond the brackets on one end or both ends.

Caution: Do not allow extension to exceed 1/2 times the bracket spacing.



One Wall Bracket can be used to support the ends of 2 luminaires. This can reduce the number of brackets required in some installations.



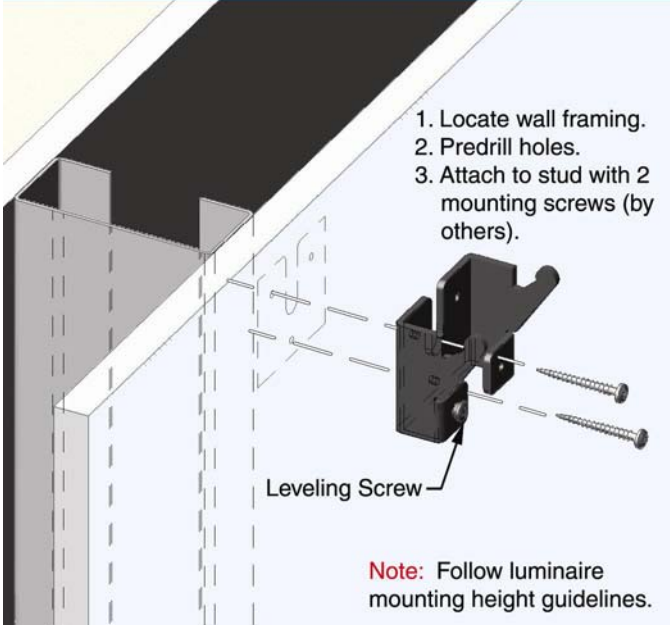
When mounting a task ambient luminaire to a low partition, the wall must not extend more than 1" above the top of the luminaire.

CONFIDENTIAL PROPRIETARY INFORMATION

The information herein is of a proprietary nature and is submitted in confidence for the use by our clients, customers, or vendors only. Unauthorized reproduction, publication, distribution, or dissemination, in whole or in part, is expressly prohibited. The information contained herein is and remains the property of Tambient and receipt or possession of this information confers no right in or license to or disclose to others the subject matter contained herein for any but authorized purposes. All rights reserved. Copyright © 2010 Sylvan R. Shemitz Designs, Inc.

Installation Instructions:

STEP 1

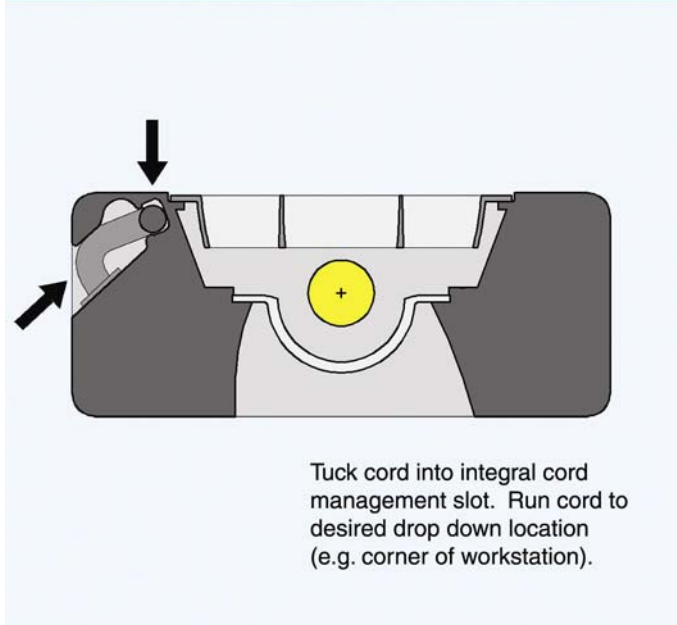


1. Locate wall framing.
2. Pre-drill holes.
3. Attach to stud with 2 mounting screws (by others).

Leveling Screw

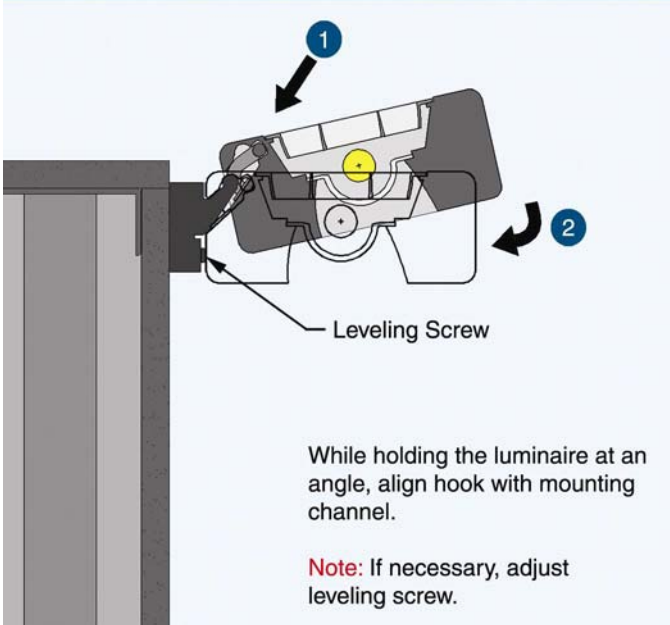
Note: Follow luminaire mounting height guidelines.

STEP 2



Tuck cord into integral cord management slot. Run cord to desired drop down location (e.g. corner of workstation).

STEP 3



- 1
- 2

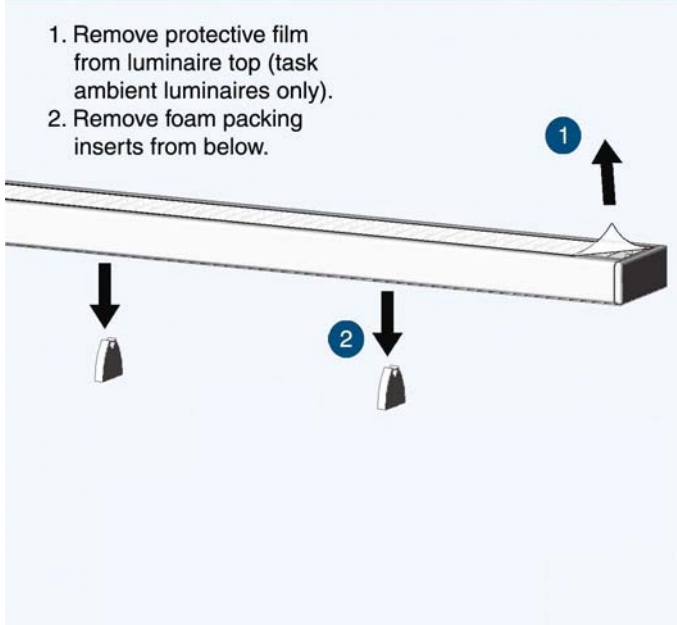
Leveling Screw

While holding the luminaire at an angle, align hook with mounting channel.

Note: If necessary, adjust leveling screw.

STEP 4

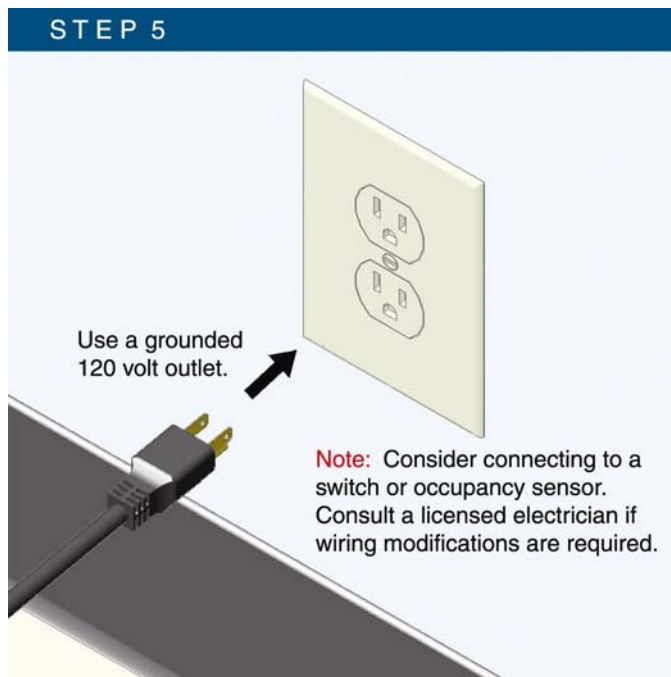
1. Remove protective film from luminaire top (task ambient luminaires only).
2. Remove foam packing inserts from below.



- 1
- 2

CONFIDENTIAL PROPRIETARY INFORMATION

The information herein is of a proprietary nature and is submitted in confidence for the use by our clients, customers, or vendors only. Unauthorized reproduction, publication, distribution, or dissemination, in whole or in part, is expressly prohibited. The information contained herein is and remains the property of Tambient and receipt or possession of this information confers no right in or license to or disclose to others the subject matter contained herein for any but authorized purposes. All rights reserved. Copyright © 2010 Sylvan R. Shemitz Designs, Inc.



CONFIDENTIAL PROPRIETARY INFORMATION

The information herein is of a proprietary nature and is submitted in confidence for the use by our clients, customers, or vendors only. Unauthorized reproduction, publication, distribution, or dissemination, in whole or in part, is expressly prohibited. The information contained herein is and remains the property of Tambient and receipt or possession of this information confers no right in or license to or disclose to others the subject matter contained herein for any but authorized purposes. All rights reserved. Copyright © 2010 Sylvan R. Shemitz Designs, Inc.