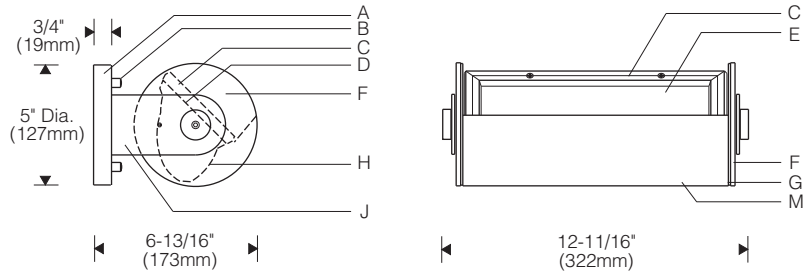
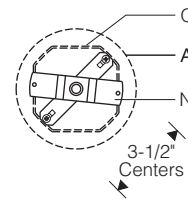


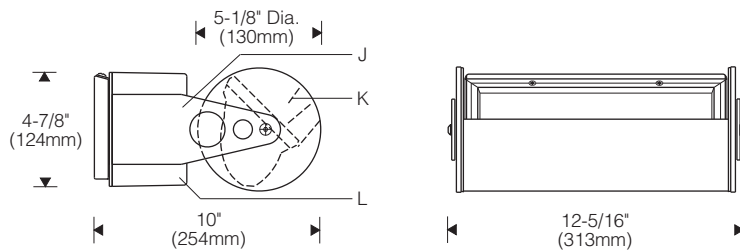
Style 120 1:8 Scale



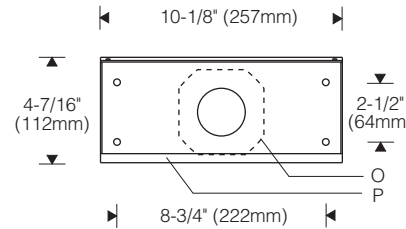
Canopy



Style 123 1:8 Scale



Mounting Plate



Specifications

- | | | | |
|--|--|--|--|
| A Aluminum canopy | E Micro-prismatic tempered glass lens | H Specular extruded aluminum reflector | M Extruded aluminum cylindrical housing |
| B Chrome cap nuts | F 3/16" aluminum end plates | J Aluminum yoke | N Pivoting hanger bar |
| C Mitred extruded aluminum door frame | G Aluminum reveal plates (black) | K Optional horizontal radial blade baffle | O Outlet box (by others) |
| D Silicone door and lens gasket | | L Die-cast ballast housing | P Formed steel latch/hinge mounting plate |

Finish:

Semi-gloss white exterior, end plates, door frame, yoke and canopy. Black reveal plates (and mounting plate on Style 123).

Painted surfaces - 6 stage pretreatment and electrostatically applied thermoset powder coat for stable, long lasting and corrosion resistant finish.

Reflector - extruded high purity aluminum with clear anodized specular finish. All luminaire hardware - stainless steel. All mounting hardware - zinc or cadmium plated.

Mounting:

Style 120 - canopy mounts over recessed outlet box.

Uplight cantilever mounting assembly ordered separately; specify **X** mount (Style 120 only).

Style 123 - latch/hinge mounting plate fastens over recessed outlet box. Suitable backing structure required (by others). Fixture hinges on wall plate for hands-free access to splices.

Electrical:

Use 90°C wire for supply connections.

Tungsten halogen (Style 120) - recessed single contact (RSC) or DC bayonet lampholders retained with patented clamping supports for maximum heat dissipation.

Metal halide - G12 lampholder for use with single ended lamp. Remote encapsulated (Style 120) or integral (Style 123) non-encapsulated high reactance autotransformer (HX-HPF) ballast.

70, 150W metal halide - optional electronic ballast provides improved voltage regulation, energy savings and automatic shut-off feature to eliminate end-of-life lamp cycling.

For complete ballast specifications, see Accessories Section.

Standard:

UL listed and CSA certified for damp locations. 350W halogen suitable for uplight orientation only. Where pendant or cantilever may be exposed to wind, consult factory.

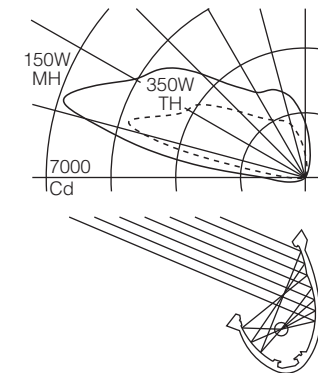
Features

- Extruded cylindrical housing encloses the rigid reflector
- 3/16" aluminum end plate joins at articulated black reveal
- Round end plates - consistent profile regardless of aiming
- Precured silicone gaskets - keep dirt and moisture out, prevent light leaks, maintain performance
- Compact yet powerful - up to 350W halogen, 150W MH



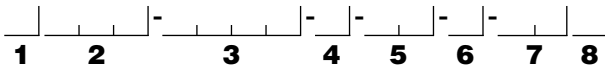
Performance

Two parabolic reflector sections drive light across the ceiling from one edge. An elliptical section shields the lamp from normal viewing angles and redirects its light to a parabola. Glare is minimized and asymmetry of the beam is maximized resulting in high beam efficiency and superior surface uniformity.



For complete photometrics, visit www.elliptipar.com

To form a Catalog Number



1 Source

M = Metal halide
T = Tungsten halogen

2 Style

120 = Small cylinder, **remote** ballast
123 = Small cylinder, **integral** ballast

3 Lamp

Lamp Code	Watt-age	Lamp Number	Volt-age(s)	Ballast	Dis-tance
Ceramic Metal Halide*					
070G	70	CMH70/T6/G12	A, B, H	HX-HPF	20'(6m)
			1, 2	Electr.	15'(4.5m)
150G	150	CMH150/T6/G12	A, B, H	HX-HPF	10'(3m)
			1, 2	Electr.	15'(4.5m)

Tungsten Halogen					
0100	100	Q100DC	A		
0150	150	Q150DC	A		
0200	200	Q200T3	A		
0250	250	Q250DC	A		
0350+	350	Q350T3/CL/HIR+	A		

For complete lamp and ballast information, see Accessories Section.
* Metal halide lamps using ceramic arc tubes yield higher light output than lamps with quartz arc tubes. They offer improved lamp-to-lamp color consistency and a more stable color temperature over their life (±200K). Standard lamp color is 3000K / 80+ CRI.
+ 350W IR coated halogen yields approximately the same light output as a conventional 500W halogen lamp.

4 Mounting

Style 120
E = External yoke on canopy
X = External yoke for use with accessory cantilever mounting assembly (order separately).
For use in natatorium (pool), consult factory.

Style 123
W = Latch/hinge mounting plate for recessed outlet box

Project: _____

5 Finish

02 = Semi-gloss white
99 = Custom RAL or computer matched color to be specified, consult sales representative

6 Voltage/Ballast

<i>Magnetic</i>	<i>Electronic</i>
A = 120V	1 = 120V
B = 277V	2 = 277V
H = 347V (Canada)	

7 Option (see Accessories Section for specifications)

00 = No options
0B = Internal horizontal radial blade baffle, matte black. Provides horizontal cutoff of lens brightness when maximum candlepower is aimed 35° above horizontal.
0H = Long distance remote ballast (Style 120) up to 50' (15m) maximum. Encapsulated HX-HPF magnetic ballast only.
0P = Natatorium (pool) use, Style 123 integral ballast or Style 120 tungsten halogen or metal halide with remote ballast located outside the pool environment
0Q = Natatorium (pool) use, Style 120 metal halide with remote ballast located within the pool environment
0R = Halogen standby lamp with relay. Relay is field connected at remote ballast for Style 120, integral for Style 123. Lamp included (wattage varies).
XX = For modification not listed, include detailed description. Consult factory prior to specification.

8 Standard

0 = UL, Underwriters Laboratories
J = CSA, Canadian Standards Association

Example

M120 - 070G - E - 02 - B - 0B0

Small enclosed cylinder for use with 70 watt metal halide lamp. Mounted with external yoke on canopy. Semi-gloss white. Remote 277V ballast. Horizontal radial blade baffle. UL.

Type: _____

Accessories

Order separately. See Accessories Section for specifications.

VCL0236 = **Cantilever**, 36" (915mm) setback, semi-gloss white, **Style 120 only**
0 = UL
J = CSA

ACF = Stripped glass **color filter**, integral to door frame.
Maximum 200W TH, 70W CMH.
Consult factory for complete specifications and ordering information.

AFK000X = Ballast **fuse kit**
0 = UL
J = CSA

