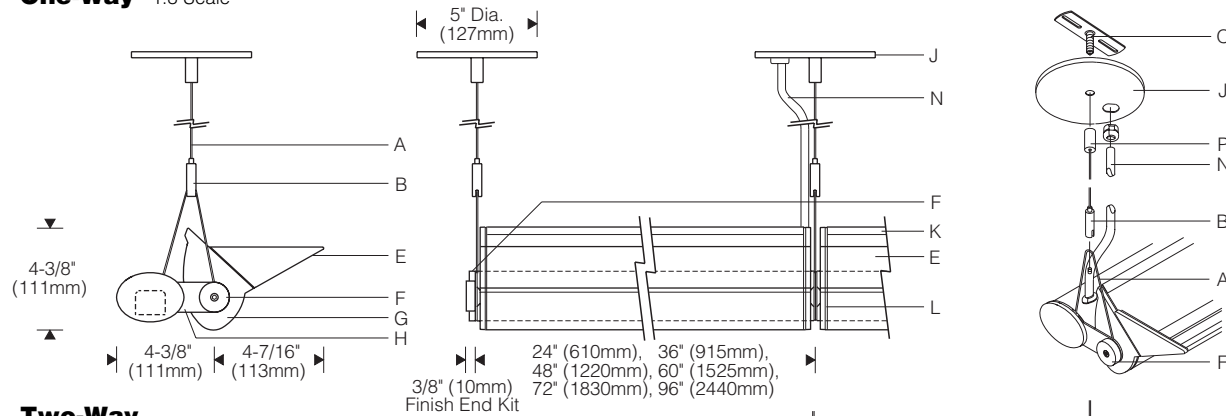
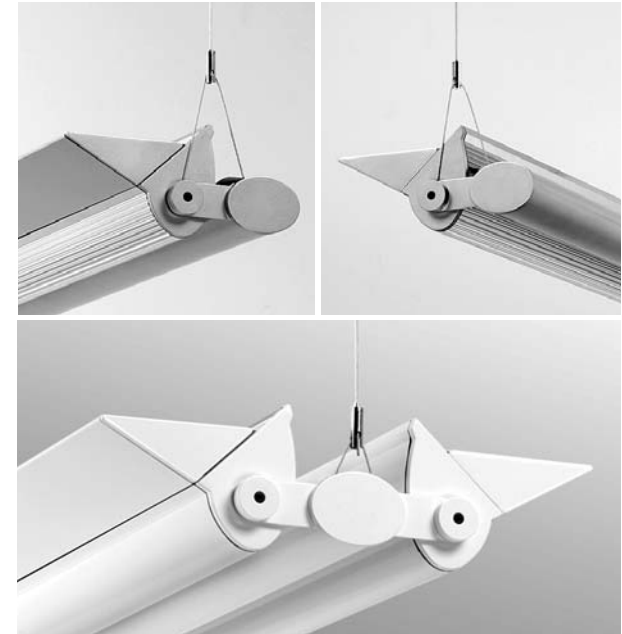
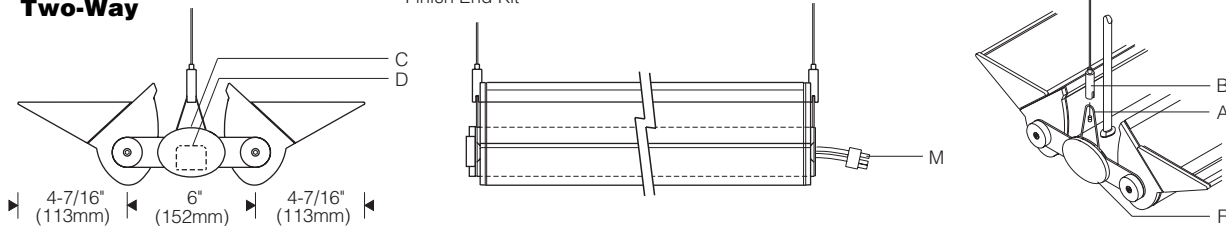


One-Way 1:8 Scale



Two-Way



Specifications

- | | | | |
|--|--|---|--|
| A 1/16" dia. 7x7 aircraft cable and sling | E Extruded aluminum visor | H Aluminum sidearm | M Through wire with quick connectors (optional) |
| B Adjustable Y-glider | F AFE finish end kit (includes aluminum end plates and knobs) | J 1/4" aluminum canopy | N 18/4 cord |
| C Extruded aluminum ballast housing | G Die cast aluminum end plate | K Specular extruded aluminum reflector | O Crossbar, 1/4-20 stud |
| D Electronic ballast | | L Aluminum reveal plate (black) | P Threaded coupler |

Features

- Precise optical control of the T5 lamp projects light evenly across the ceiling – offices, conference rooms, lobbies
- Extruded visor, cast end plates join at articulated reveals
- Classic elliptical-shaped ballast housing – through wiring for rows for easy installation
- Optional modular wiring, dimming, emergency battery



Finish:

Style 105 fluted – bright clear anodized aluminum housing. Painted end plates, sidearms, visor and ballast housing in choice of silver or semi-gloss black.

Style 106 smooth – semi-gloss white housing and end plates. Painted surfaces – 6 stage pretreatment and electrostatically applied thermoset powder coat for stable, long lasting and corrosion resistant finish.

Reflector – extruded high purity aluminum with clear anodized specular finish. All luminaire hardware – stainless steel.

Mounting:

Cable supports – 1/16" dia. 7x7 stranded aircraft cable, field adjustable length. Crossbar with 1/4-20 stud and canopy included. Electrical feed cable supplied with cord bushing and cord stays. Threaded rods, T-bar clips or alternative 1/4-20 hangers by others (extend 3/4" (19mm) below ceiling).

Electrical:

Use 90°C wire for supply connections and through wire.

Cover hinges open for access to ballast and wiring. Optional prewired modular through wiring with quick connectors.

Integral electronic HPF thermally protected class P ballast with end-of-life protection.

Optional electronic dimming ballast; compatible dimmer switch required (by others). Consult sales representative for compatibility and specifications.

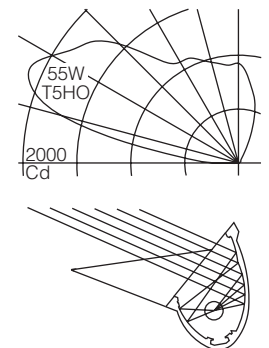
Optional integral emergency battery operates one lamp. Separate unswitched supply is required.

Standard:

UL listed or CSA certified for damp locations (Style 124 painted model with lens recommended for damp locations).

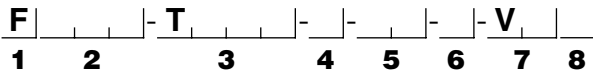
Performance

Two parabolic reflector sections drive light across the ceiling from one edge. An elliptical section shields the lamp from normal viewing angles and redirects its light to a parabola. Glare is minimized and asymmetry of the beam is maximized resulting in high beam efficiency and superior surface uniformity.



For complete photometrics, visit thelightingquotient.com

To form a Catalog Number



1 Source

F = Linear fluorescent

2 Style

105 = Small fluted surface, integral ballast
106 = Small smooth surface, integral ballast

3 Lamp

T | | | | = T5 Fluorescent Lamp Code

Lamp Wattage (see chart below)
Number of Lamps in Length, specify 1 or 2

Example: T255 = 8' (2.4m) housing with two 54W T5HO lamps (end-to-end)

Length*	T5		T5HO	
	Code	Lamp(s)	Code	Lamp(s)
T5 Fluorescent				
24" (610mm)	T114	1 x F14T5	T124	1 x F24T5/HO
36" (915mm)	T121	1 x F21T5	T139	1 x F39T5/HO
48" (1220mm)	T128	1 x F28T5	T155	1 x F54T5/HO
60" (1525mm)	T135	1 x F35T5	T180	1 x F80T5/HO
72" (1830mm)	T221	2 x F21T5	T239	2 x F39T5/HO
96" (2440mm)	T228	2 x F28T5	T255	2 x F54T5/HO

For complete lamp and ballast information, see Accessories Section. Standard T5 lamp color is 3000K/80+ CRI.

*Add 3/4" (19mm) to row or single unit for AFE Finish End Kit.

4 Mounting

1 = One-way cable suspended upright
2 = Two-way cable suspended upright

Note: Cable supports are ordered separately.

5 Finish

Style 105 Fluted
Bright clear anodized reflector with painted components in choice of:

01 = Silver
81 = Semi-gloss black

Style 106 Smooth
02 = Semi-gloss white

99 = Custom RAL or computer matched color to be specified, consult sales representative

Project: _____

6 Voltage/Ballast

Electronic Dimming*
1 = 120V T = 120V
2 = 277V V = 277V
3 = 347V (Canada)

* Consult sales representative for dimming 5' lamps (lamp codes Tx35, Tx80). Availability for wattages and voltages varies with ballast manufacturer and control type – see thelightingquotient.com for additional dimming specifications and limitations.

Maximum Row Length per Feed (4' lamps)*			
Voltage	Lamp	1-way	2-way
120V	T5	140' (42.7m)	68' (20.7m)
	T5HO	76' (23.2m)	36' (11.0m)
227V	T5	332' (101.2m)	164' (50.0m)
	T5HO	184' (56.1m)	92' (28.0m)

*Based on 10A capacity of 18/4 cord.

7 Option (see Accessories Section for specifications)

VO = Cutoff visor included, no other option
VE = Integral emergency battery pack with indicator lamp and test button. Available in 4', 5', 6' and 8' units (lamp codes T128, T135, T221, T228, T155, T239 and T255). Operates one lamp.
VK = Prewired modular through wiring with quick connectors
VC = Combination of emergency battery pack and prewired modular through wiring as described above
VX = For modification not listed, include detailed description. Consult factory prior to specification.

Note: Cutoff visor included with all options.

8 Destination Requirement

0 = UL listed or CSA certified for U.S.
J = UL listed or CSA certified for Canada

Example

F106 - T255 - 1 - 02 - 1 - VE0

Small smooth surface model for use with two 4' F54T5HO lamps, 96" long housing (not including AFE finish end kit, order separately). One-way suspended upright cable mounted. Semi-gloss white. Integral 120V electronic ballast. Cutoff visor. Emergency battery pack. UL listed or CSA certified for U.S.
Note: Cable supports are ordered separately.

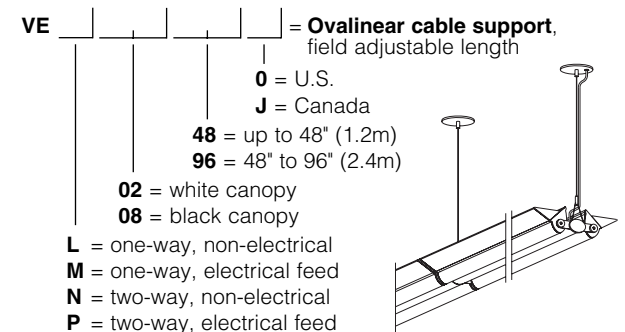
Type: _____

Hangers

Order separately. See Accessories Section for specifications. Singles – order one non-electrical and one electrical feed hanger for each unit.

Rows – order one non-electrical hanger for each unit plus one electrical feed for each row.

Note: For dimming (voltage/ballast code T or V), order one additional electrical feed and subtract one non-electrical cable support to accommodate control circuit.



Accessories

Order separately. See Accessories Section for specifications.

