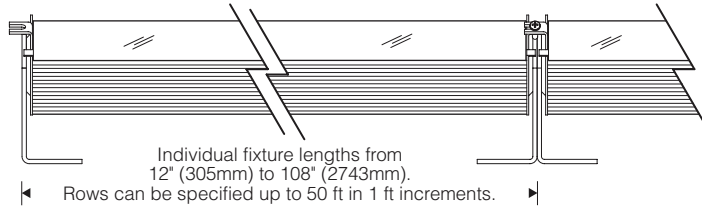
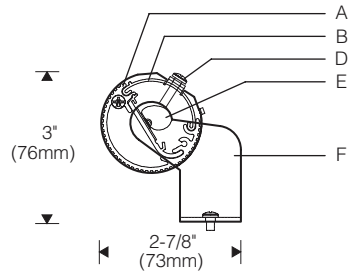
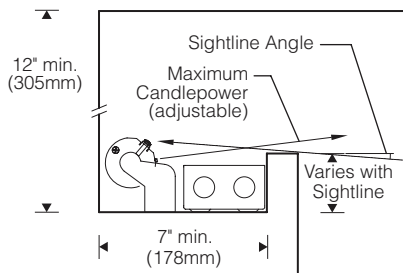


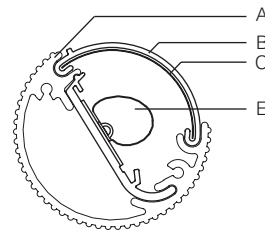
Style S301 1:4 Scale



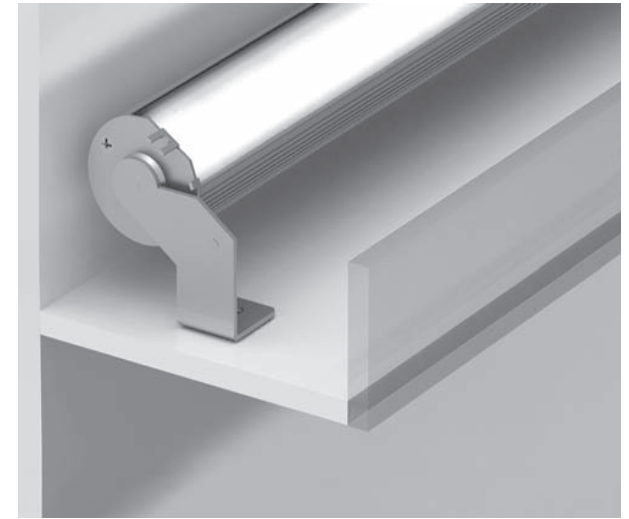
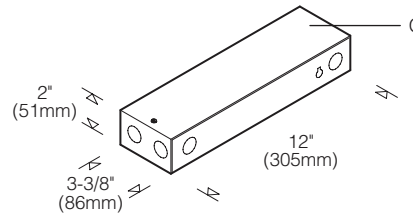
Cove 1:8 Scale



Optical Assembly 1:2 Scale



Remote Driver



Specifications

- | | | | |
|--|--|--|--|
| A Extruded aluminum exterior, heat sink/housing | C Holographic diffuser | F L-shaped mounting feet, one pair per optical assembly (fasteners by others) | G Remote driver in aluminum enclosure |
| B Impact-resistant extruded lens | D Rotation locking tab/screw | | |
| | E Removable light engine assembly with fraqtir™ acrylic refractor | | |

Optic Assembly:

Two-piece extruded aluminum heat sink/optic housing. Exterior heat sink anodized for maximum emissivity. Removable interior extrusion treated to maximize thermal conductivity. Precision formed asymmetric optical light bar of high temperature, water-clear acrylic. Extruded impact resistant, high temperature, acrylic outer protective lens. Elliptical distribution holographic diffuser captured within outer protective lens, maximizes lateral distribution without disturbing asymmetric forward throw.

Finish:

Mounting brackets and driver enclosure – mill finish aluminum. All luminaire hardware – stainless steel.

Mounting:

L-shaped mounting brackets can be base or wall mounted. Two brackets are supplied for each optical assembly. Luminaires can be mounted individually or joined together to form a continuous row. Optical assembly aiming is fully adjustable and is fixed in position by rotation locking screws at each mounting bracket. When mounted in a continuous row, assemblies lock together allowing all in the row to be aimed together.

Electrical:

Use 90°C wire for supply connections. 5' (1.5m) wire leads exit center of the housing. 90° connector and 4' (1.2m) of flexible metal conduit are provided.

Remote electronic Class II driver. Aluminum driver enclosure includes (8) 7/8" dia. entries and a knockout for an accessory fuse. Maximum wire length between electronic driver and fixture is 12 feet. Optional electronic dimming driver, compatible dimming controls (by others). See website for dimming compatibility and specifications.

Standard:

UL listed or CSA certified for dry location.

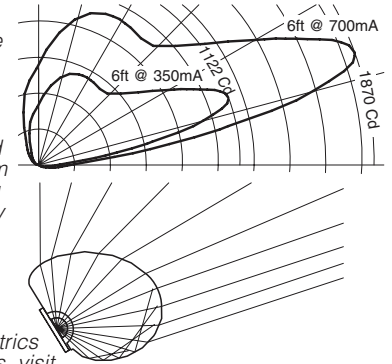
Features

- fraqtir™ technology – combines several principles of refraction, including TIR, for precise asymmetric optical control
- Wide lateral distribution – no socket shadows
- Fully adjustable and lockable optic assembly
- Easily serviced – LED light engine assembly can be removed for service/upgrade



Performance

fraqtir™ technology uses multiple refractive surfaces and total internal reflections to drive light across the ceiling from one edge. Glare is minimized and asymmetry of the beam is maximized, resulting in high beam efficiency and superior surface uniformity.



For complete photometrics including LM-79 results, visit thelightingquotient.com



