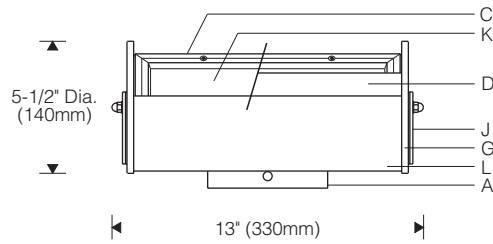
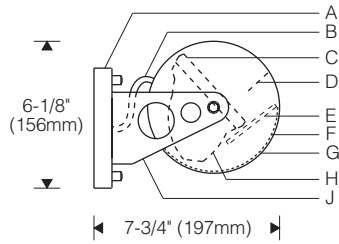
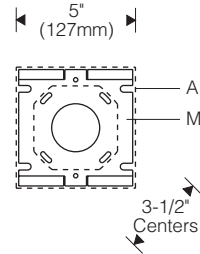


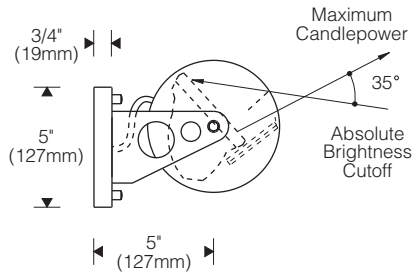
W Mount 1:8 Scale



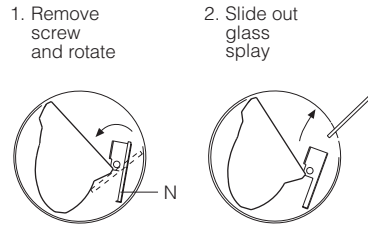
Mounting Plate



Radial Baffle



Splay Assembly (L1 luminous housing)



Specifications

- | | | | |
|---|---|---|--|
| A Aluminum canopy | D Radial blade baffle, black on bottom, diffuse on top | F Translucent insert (L1 luminous housing) | K Micro-prismatic tempered glass lens |
| B Braided stainless steel cable sleeving (bright) | E Splay - translucent tempered glass for L1 luminous housing; white aluminum for P1 non-luminous housing | G Spun aluminum end plates | L Perforated rolled aluminum housing |
| C Mitred extruded aluminum door frame with silicone gasket | | H Specular extruded aluminum reflector | M Mounting plate |
| | | J Aluminum yoke | N Hinged glass splay |

Finish:

Perforated rolled aluminum housing. Bright clear anodized aluminum housing and end plates with brushed aluminum yoke. Door frame and internal end plates are finished black.

L1 finish – illuminated housing with translucent glass splay and non-yellowing translucent insert behind perforations for diffuse glow. Splay is hinged and removable for cleaning.

P1 finish – non-illuminated housing with white aluminum splay.

Painted surfaces – 6 stage pretreatment and electrostatically applied thermoset powder coat for stable, long lasting and corrosion resistant finish.

Reflector – extruded high purity aluminum with clear anodized specular finish. All luminaire hardware – stainless steel. All mounting hardware – zinc or cadmium plated.

Mounting:

Canopy and mounting plate fasten over recessed outlet box (by others).

Electrical:

Use 90°C wire for supply connections.

Tungsten halogen – recessed single contact (RSC) or DC bayonet lampholders retained with patented clamping supports for maximum heat dissipation.

Metal halide – G12 lampholder for use with single ended lamp. Remote encapsulated high reactance autotransformer ballast (35W and 70W) or electronic ballast. Electronic ballast provides improved voltage regulation, energy savings and automatic shut-off feature to eliminate end-of-life lamp cycling.

For complete ballast specifications, see Accessories Section.

Standard:

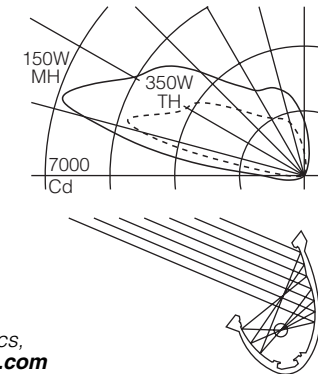
UL listed or CSA certified for damp locations (Style 120 extruded cylinder recommended for damp locations). 350W halogen suitable for upright orientation only.

Features

- Distinctive perforated housing in bright clear anodize with styled brushed aluminum yoke
- Luminous perforated housing with optional translucent glass splay – removes for cleaning
- Regressed lens – provides substantial cutoff of brightness
- Radial baffle – provides shielding within the cylindrical form

Performance

Two parabolic reflector sections drive light across the ceiling from one edge. An elliptical section shields the lamp from normal viewing angles and redirects its light to a parabola. Glare is minimized and asymmetry of the beam is maximized resulting in high beam efficiency and superior surface uniformity.



For complete photometrics, visit thelightingquotient.com



