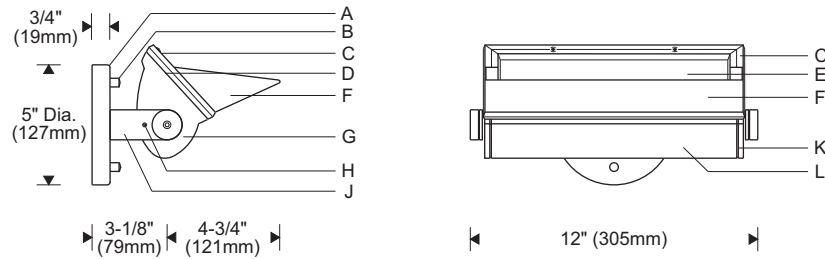
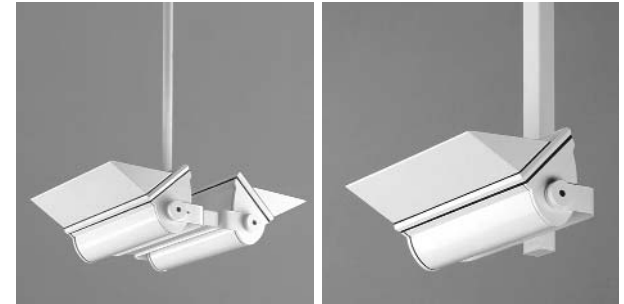
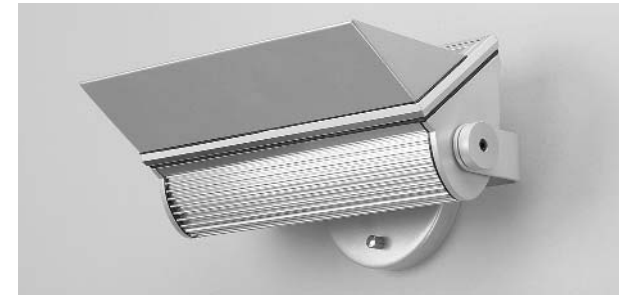
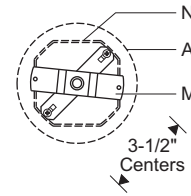


E Mount 1:8 Scale



Canopy



Specifications

- | | | | |
|--|--|---|---|
| A Aluminum canopy | E Micro-prismatic tempered glass lens | H Locking set screw | L Specular extruded aluminum reflector |
| B Chrome cap nuts | F Perforated or solid cutoff visor (included) | J Aluminum yoke | M Pivoting hanger bar |
| C Mitred extruded aluminum door frame | G Die-cast end plates | K Aluminum reveal plates (black) | N Recessed outlet box (by others) |
| D Silicone door and lens gasket | | | |

Finish:

Style 101 fluted - bright clear anodized aluminum housing and door frame. Painted end plates, visor, yoke and canopy in choice of silver or semi-gloss black.

Style 102 smooth - semi-gloss white housing, door frame, end plates, yoke and visor.

Visor available solid or perforated. Perforated visor supplied with diffusing translucent insert.

Painted surfaces - 6 stage pretreatment and electrostatically applied thermoset powder coat for stable, long lasting and corrosion resistant finish.

Reflector - extruded high purity aluminum with clear anodized specular finish. All luminaire hardware - stainless steel. All mounting hardware - zinc or cadmium plated.

Mounting:

Canopy mounts over recessed outlet box.

Uplight pendant (back-to-back) or cantilever mounting assembly ordered separately; specify **X** mount. Supplied with remote ballast

Electrical:

Use 90°C wire for supply connections.

Tungsten halogen - recessed single contact (RSC) or DC bayonet lampholders retained with patented clamping supports for maximum heat dissipation.

Metal halide - G12 lampholder for use with single ended lamp. Remote encapsulated high reactance autotransformer (HX-HPF) ballast.

70, 150W metal halide - optional electronic ballast provides improved voltage regulation, energy savings and automatic shut-off feature to eliminate end-of-life lamp cycling.

For complete ballast specifications, see Accessories Section.

Standard:

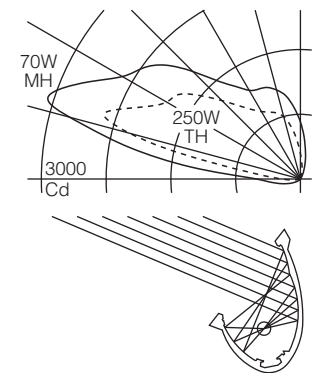
UL listed or CSA certified for damp locations. (*Style 102* painted model recommended for damp locations.) Where pendant or cantilever may be exposed to wind, consult factory.

Features

- Die-cast end plates join at articulated black reveals; machined aluminum knobs - no exposed fasteners
- All joints are gasketed - keep dirt and moisture out, prevent light leaks, maintain performance
- Non-corrosive aluminum and stainless steel construction
- Compact yet powerful - up to 250W halogen, 150W MH

Performance

Two parabolic reflector sections drive light across the ceiling from one edge. An elliptical section shields the lamp from normal viewing angles and redirects its light to a parabola. Glare is minimized and asymmetry of the beam is maximized resulting in high beam efficiency and superior surface uniformity.

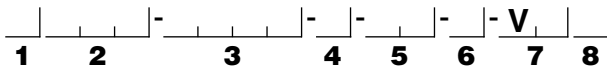


For complete photometrics, visit www.elliptipar.com

elliptipar



To form a Catalog Number



1 Source

M = Metal halide
T = Tungsten halogen

2 Style

101 = Small fluted surface, remote ballast
102 = Small smooth surface, remote ballast
Note: For damp locations, Style 102 is recommended.

3 Lamp

Lamp Code	Watt-age	Lamp Number	Volt-age(s)	Ballast	Dis-tance
-----------	----------	-------------	-------------	---------	-----------

Ceramic Metal Halide*

070G	70	CMH70/T6/G12	A, B, H	HX-HPF	20'(6m)
			1, 2	Electr.	15'(4.5m)
150G	150	CMH150/T6/G12	A, B, H	HX-HPF	10'(3m)
			1, 2	Electr.	15'(4.5m)

Tungsten Halogen

0100	100	Q100DC	A	
0150	150	Q150DC	A	
0200	200	Q200T3	A	
0250	250	Q250DC	A	

For complete lamp and ballast information, see Accessories Section.
* Metal halide lamps using ceramic arc tubes yield higher light output than lamps with quartz arc tubes. They offer improved lamp-to-lamp color consistency and a more stable color temperature over their life ($\pm 200K$). Standard lamp color is 3000K / 80+ CRI.

4 Mounting

E = External yoke on canopy
X = External yoke for use with accessory cantilever or pendant mounting assembly (order separately).
For use in natatorium (pool), consult factory.

Project: _____

5 Finish

Style 101 Fluted
Bright anodized aluminum reflector and door frame with painted end plates, yoke, canopy and visor in choice of
01 = silver, solid visor
P1 = silver, perforated visor
81 = semi-gloss black, solid visor
P8 = semi-gloss black, perforated visor

Style 102 Smooth
Semi-gloss white reflector, end plates, door frame, yoke and canopy with choice of
02 = solid visor finished white
P2 = perforated visor finished white
99 = Custom RAL or computer matched color to be specified, consult sales representative

6 Voltage/Ballast

Magnetic
A = 120V
B = 277V
H = 347V (Canada)

Electronic
1 = 120V
2 = 277V

7 Option (see Accessories Section for specifications)

V0 = Cutoff visor included, no other options
VH = Long distance remote ballast up to 50' (15m) maximum. Encapsulated HX-HPF magnetic ballast only.
VM = MRI medical facility use (halogen E mount only)
VP = Natatorium (pool) use, tungsten halogen or metal halide unit with remote ballast located outside the pool environment (Style 102 painted model only)
VQ = Natatorium (pool) use, metal halide remote ballast suitable for use in the pool environment (Style 102 painted model only)
VR = Halogen standby lamp with relay field connected at remote ballast. Lamp included (wattage varies).
VX = For modification not listed, include detailed description. Consult factory prior to specification.

Note: Cutoff visor included unless specified otherwise.

8 Standard

0 = UL, Underwriters Laboratories
J = CSA, Canadian Standards Association

Example

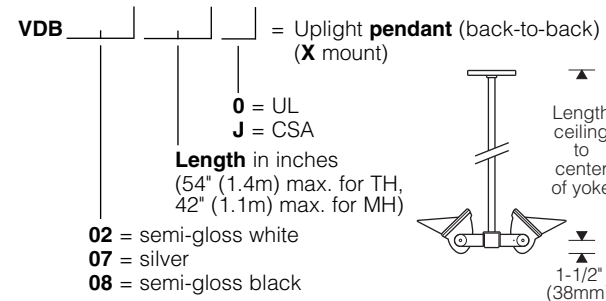
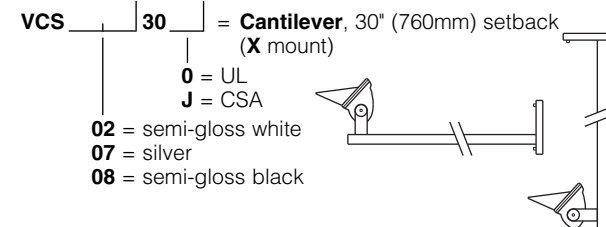
M102 - 150G - E - P2 - B - V00

Small smooth surface model for use with 150 watt metal halide lamp. Mounted with external yoke on canopy. Semi-gloss white. Remote 277V ballast. UL. Perforated white cutoff visor included.

Type: _____

Accessories

Order separately. See Accessories Section for specifications.



ACF = Stripped glass color filter, integral to door frame. (accepts standard cutoff visor)

AXF = Interchangeable color filter assembly, exchangeable frame with stripped color glass, visor.

Note: Color filters limited to maximum 200W halogen, 70W CMH. Consult factory for complete specifications and ordering information.

AFK000X _____ = Ballast fuse kit

0 = UL
J = CSA