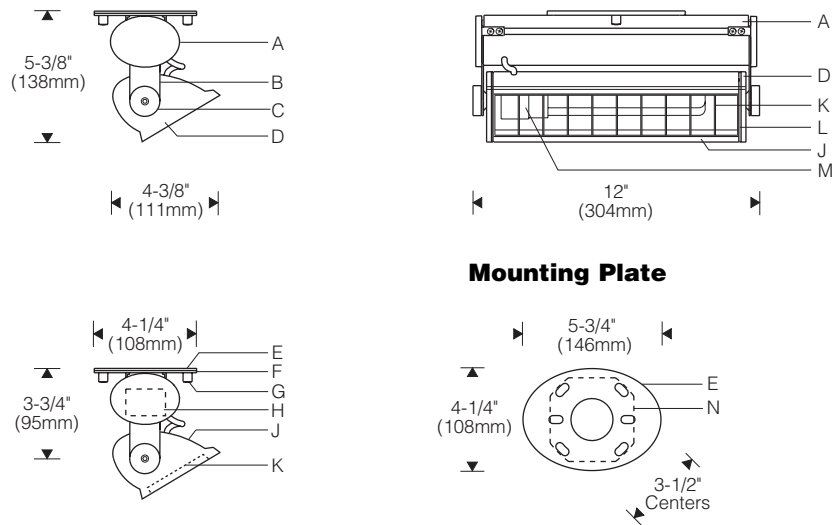


**E Mount** 1:8 Scale



**Specifications**

- |   |  |   |  |
|---|--|---|--|
| <b>A</b> Extruded aluminum ballast housing                | <b>D</b> Die-cast aluminum end plates            | <b>H</b> Electronic ballast   | <b>L</b> Aluminum reveal plates (black)  |
| <b>B</b> Aluminum sidearms                                | <b>E</b> Stamped aluminum mounting plate (black) | <b>J</b> Specular extruded aluminum reflector                           | <b>M</b> Twist and lock lampholder       |
| <b>C</b> Machined aluminum knobs with hex head cap screws | <b>F</b> Aluminum canopy plate                   | <b>K</b> Snap-in polycarbonate cross baffle (matte gray), 15° shielding | <b>N</b> Recessed outlet box (by others) |
|   | <b>G</b> Chrome cap nuts                         |   |  |

**Finish:**

*Style 105* fluted – bright clear anodized aluminum reflector. Painted end plates, ballast housing, sidearms and canopy in choice of silver or semi-gloss black.  
*Style 106* smooth – semi-gloss white exterior.

Painted surfaces – 6 stage pretreatment and electrostatically applied thermoset powder coat for stable, long lasting and corrosion resistant finish.

Reflector – extruded high purity aluminum with clear anodized specular finish. All luminaire hardware – stainless steel.

**Mounting:**

Mounting plate fastens over recessed outlet box. Canopy plate is secured to studs in mounting plate with cap nuts. Pendant or cantilever ordered separately; specify **X** mount. Pendant stem – 11/16" O.D. aluminum, internally threaded. 5" diameter x 1/2" aluminum canopy.

Cantilever – 1" x 2" steel arm. Interface plate (under canopy) allows ±5° leveling. **Suitable backing structure required.** Track mounting available; specify **K** mount. **Consult factory.**

**Electrical:**

Use 90°C wire for supply connections. Integral HPF thermally protected electronic ballast with end-of-life protection for use with 4-pin lamp. Twist and lock lampholder allows for easy lamp installation and removal. For dimming, see Styles 121/122 integral (available in canopy mount only).

For complete ballast specifications, see Accessories Section.

**Standard:**

UL listed or CSA certified for damp locations (Style 114 hex tube model with gasketed lens recommended for damp locations).

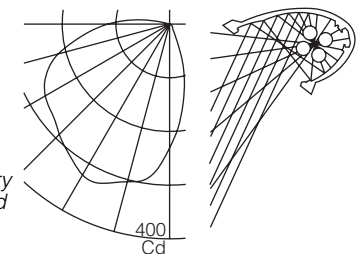


**Features**

- Effective wall lighting – illumination from our one lamp wall washer is equivalent to others' two lamp units
- Snap-in matte gray baffle – 15° lengthwise shielding
- Integral electronic ballast – ideal incandescent retrofit offers great color, long life
- Choose surface, pendant, cantilever or track mounting

**Performance**

Two parabolic reflector sections drive light to the bottom of the wall. An elliptical section shields the lamp from normal viewing angles and redirects its light to a parabola. Glare is minimized and asymmetry of the beam is maximized resulting in high beam efficiency and superior surface uniformity.



For complete photometrics, visit [thelightingquotient.com](http://thelightingquotient.com)



To form a Catalog Number

F | | | - P 1 2 6 - | - | - | - | | |  
 1 2 3 4 5 6 7 8


1 Source

F = Quad tube compact fluorescent

2 Style

105 = Small fluted surface, integral ballast  
 106 = Small smooth surface, integral ballast

3 Lamp

Lamp Code	Wattage	Lamp Number	Voltage(s)	Ballast
4-Pin Quad Tube Compact Fluorescent 				
P126	26	CFQ26W/G24q	1, 2	Electronic

For complete lamp and ballast information, see Accessories Section. Standard quad tube lamp color is 3000K/80+ CRI.

4 Mounting

E = Ceiling (surface) mount  
 X = For use with accessory cantilever or pendant mounting assembly (order separately)  
 K = Track mounted. **Note: Consult factory for available track manufacturers and types.**

5 Finish

*Style 105 Fluted*  
 01 = Bright aluminum reflector with silver end plates, ballast housing, sidearms and canopy  
 81 = Bright aluminum reflector with semi-gloss black end plates, ballast housing, sidearms and canopy

*Style 106 Smooth*  
 02 = Semi-gloss white housing, end plates, ballast housing, sidearms and canopy  
 99 = Custom RAL or computer matched color to be specified, consult sales representative

Project: \_\_\_\_\_

6 Voltage/Ballast

Electronic +  
 1 = 120V  
 2 = 277V  
 +For K mount (track), specify 120V only.

7 Option (see Accessories Section for specifications)

00 = No options  
 0E = Remote emergency battery pack. Maximum distance from battery pack to fixture is 5' (1.5m).  
 XX = For modification not listed, include detailed description. Consult factory prior to specification.

8 Destination Requirement

0 = UL listed or CSA certified for U.S.  
 J = UL listed or CSA certified for Canada

Note: Not applicable to K mount.

Example

F106 - P126 - E - 02 - 1 - 00J

Small smooth surface model for use with 26 watt 4-pin quad tube compact fluorescent lamp. Ceiling mounted with oval-shaped mounting plate. Semi-gloss white. Integral 120V electronic ballast. UL listed or CSA certified for Canada.

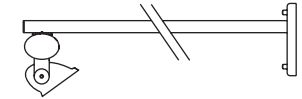
Type: \_\_\_\_\_

Accessories

Order separately. See Accessories Section for specifications.

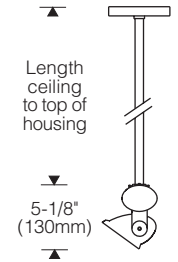
VQC | | 30 | | = Cantilever, 30" (760mm) setback

0 = U.S.  
 J = Canada  
 02 = semi-gloss white  
 07 = silver  
 08 = semi-gloss black



VP | | | | = Wallwash pendant

0 = U.S.  
 J = Canada  
 Length in inches (60" (1.5m) maximum)  
 02 = semi-gloss white  
 07 = silver  
 08 = semi-gloss black  
 L = straight  
 E = swivel (up to 45°)



AFK000X | | = Ballast fuse kit

0 = U.S.  
 J = Canada

