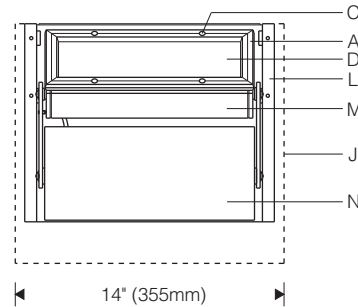
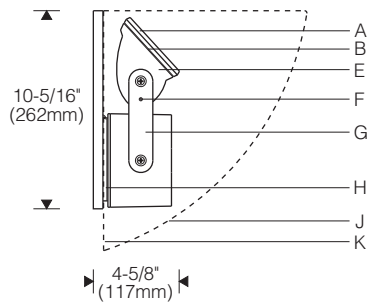
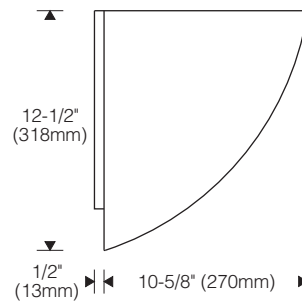


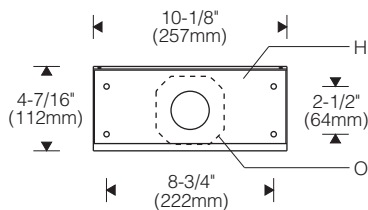
Base Unit 1:10 Scale



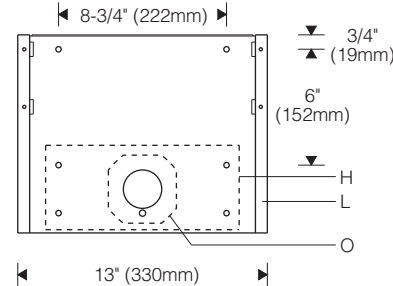
OSN Enclosure



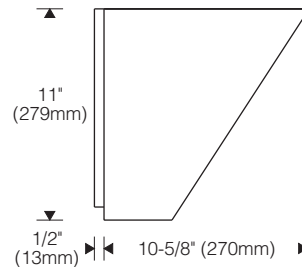
Mounting Plate



Enclosure Wall Plate



OSO Enclosure



Specifications

- | | | | |
|---|--|--|---|
| A Mitred extruded aluminum door frame | D Micro-prismatic, thermal and impact resistant tempered glass lens | H Stainless steel latch/hinge mounting plate | L Aluminum wall plate |
| B Precured silicone door and lens gasket | E Die-cast end plates | J Stainless steel sconce enclosure (ordered separately) | M Specular extruded aluminum reflector |
| C Tamper-resistant captive door screws | F Locking set screw | K Concealed drainage slot | N Die-cast aluminum ballast housing |
| | G Die-cast sidearms | | O Recessed outlet box |

Finish:

Exterior of base luminaire and mounting plate finished semi-gloss black. (Enclosure finish specified separately.)

Painted surfaces - 6 stage pretreatment and electrostatically applied thermoset polyester powder coating for a durable abrasion, fade and corrosion resistant finish.

Reflector - extruded high purity aluminum with clear anodized specular finish. All hardware and components - non corrosive stainless steel or aluminum. Door secured with captive tamper-resistant (#10 Torx) screws in stainless steel threaded reflector inserts to prevent seizing.

Enclosure (ordered separately):

Seam welded, ground smooth stainless steel with rolled edges to eliminate "oil canning." Brushed finish or thermoset polyester powder coat in choice of semi-gloss colors (see ordering information). Aluminum mounting plate forms a black reveal at the wall to conceal the drainage slot and delineate the form.

Mounting:

Latch/hinge mounting plate fastens over recessed outlet box (by others). For wall mounting only; suitable backing structure required (by others). Fixture hinges on wall plate for hands-free access to splices.

Electrical:

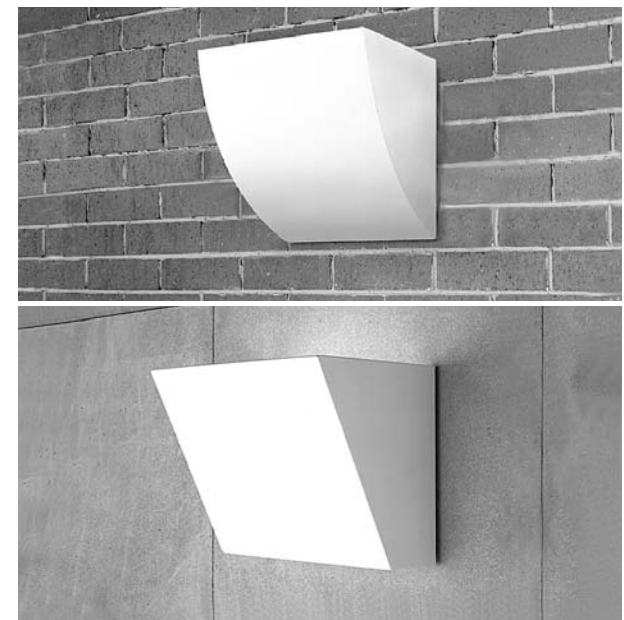
Use 90°C wire for supply connections. Leads exit reflector and enter ballast housing through watertight flush cord entries and silicone coated fiberglass sleeving.

G12 lampholder for use with single ended lamp. Integral HPF high reactance autotransformer (HX-HPF) ballast rated for -20°F/-29°C starting. Optional electronic ballast with automatic shut-off to eliminate end-of-life cycling.

For complete ballast specifications, see Accessories Section.

Standard:

UL listed or CSA certified for wet locations.



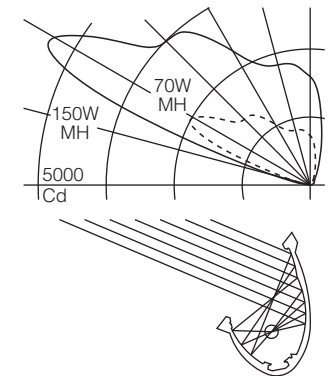
Features

- Choice of crisp geometric housings in brushed stainless steel or thermoset polyester powder coat finish
- Compact yet powerful - up to 150W ceramic metal halide
- Non corrosive - aluminum and stainless steel construction
- Precured silicone gaskets, thermal and impact resistant lens - seal out dirt and moisture, maintain performance



Performance

Two parabolic reflector sections drive light across the overhead plane from one edge. An elliptical section redirects its light to a parabola and shields the lamp. Asymmetry is maximized resulting in high beam efficiency and superior surface uniformity. The fast "runback" minimizes wasted spill light. Wide lateral distribution permits greater spacings.



For complete photometrics, visit www.elliptipar.com

