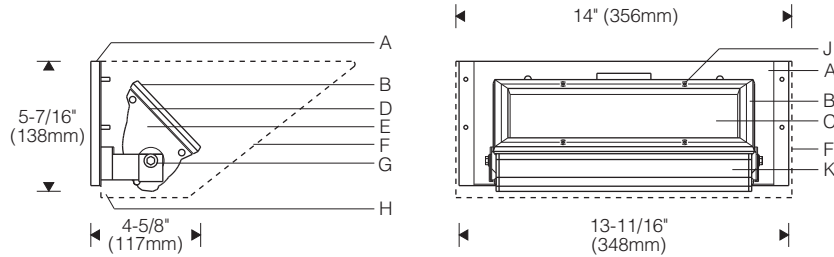
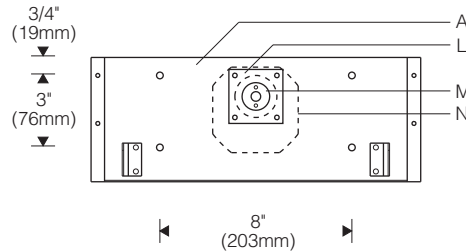


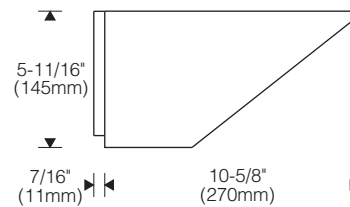
Base Unit 1:8 Scale



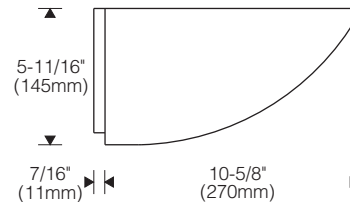
Mounting Plate



OSA Enclosure



OSB Enclosure



Specifications

- | | | | |
|--|---|---|---|
| A Aluminum yoke/mounting plate | D Precured silicone door and lens gasket | G Beveled spring washers | L Splice access cover with silicone gasket |
| B Mitred extruded aluminum door frame | E Aluminum end plates | H Concealed drainage slot | M Flush watertight cord entry |
| C Micro-prismatic, thermal and impact resistant tempered glass lens | F Stainless steel scone enclosure (ordered separately) | J Tamper-resistant captive door screws | N Recessed outlet box (by others) |
| | | K Specular extruded aluminum reflector | |

Finish:

Exterior of base luminaire and mounting plate finished semi-gloss black. (Enclosure finish specified separately.)

Painted surfaces - 6 stage pretreatment and electrostatically applied thermoset polyester powder coating for a durable abrasion, fade and corrosion resistant finish.

Reflector - extruded high purity aluminum with clear anodized specular finish. All hardware and components - non corrosive stainless steel or aluminum. Door secured with captive tamper-resistant (#10 Torx) screws in stainless steel threaded reflector inserts to prevent seizing.

Enclosure (ordered separately):

Seam welded, ground smooth stainless steel with rolled edges to eliminate "oil canning." Brushed finish or thermoset polyester powder coat in choice of colors (see ordering information). Attaches to base unit forming a black reveal at the wall to conceal the drainage slot and delineate the form.

Mounting:

Yoke/mounting plate fastens to suitable structure over recessed outlet box, and supports enclosure.

Electrical:

Use 90°C wire for supply connections. Leads exit reflector and enter recessed outlet box through watertight flush cord entries and silicone coated fiberglass sleeving with 8" (.2m) exposed beyond mounting plate.

Tungsten halogen - recessed single contact (RSC) or DC bayonet lampholders retained with patented clamping supports for maximum heat dissipation.

Metal halide - G12 lampholder for use with single ended lamp. Remote encapsulated HPF high reactance autotransformer (HX-HPF) ballast rated for -20°F/-29°C starting. Remote encapsulated ballast suitable for dry indoor location. Optional electronic ballast with automatic shut-off to eliminate end-of-life cycling. For remote wet location ballast, consult local sales representative.

For complete ballast specifications, see Accessories Section.

Standard:

UL listed or CSA certified for wet locations.

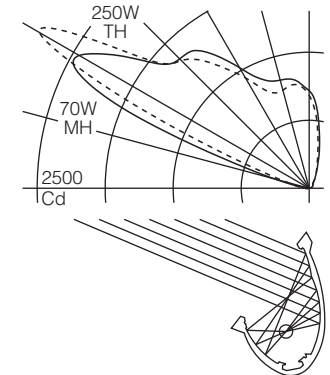
Features

- Crisp geometric scone enclosures in brushed stainless steel or thermoset polyester powder coat
- Compact yet powerful - up to 150W MH, 250W halogen
- Precured silicone gaskets, thermal and impact resistant lens - seal out dirt and moisture, maintain performance
- Non corrosive - aluminum and stainless steel construction

Performance

Two parabolic reflector sections drive light across the overhead plane from one edge.

An elliptical section redirects its light to a parabola and shields the lamp. Asymmetry is maximized resulting in high beam efficiency and superior surface uniformity. The fast "runback" minimizes wasted spill light. Wide lateral distribution permits greater spacings.



For complete photometrics, visit www.elliptipar.com

elliptipar



