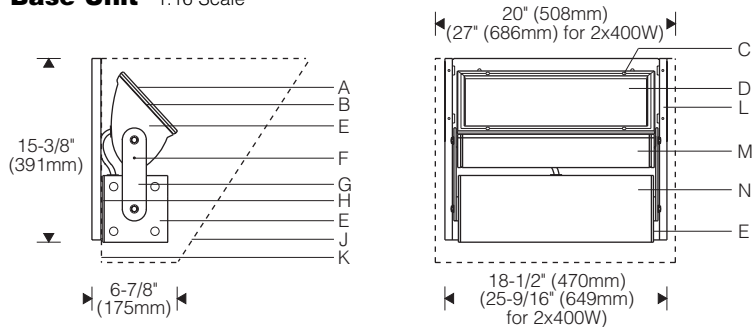
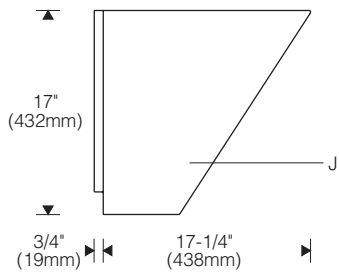


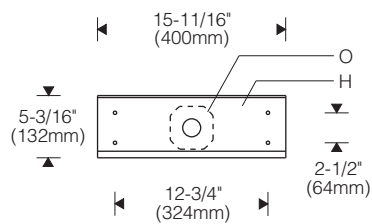
Base Unit 1:16 Scale



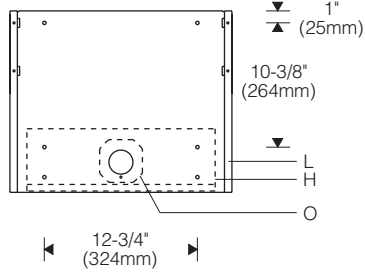
OLO Enclosure



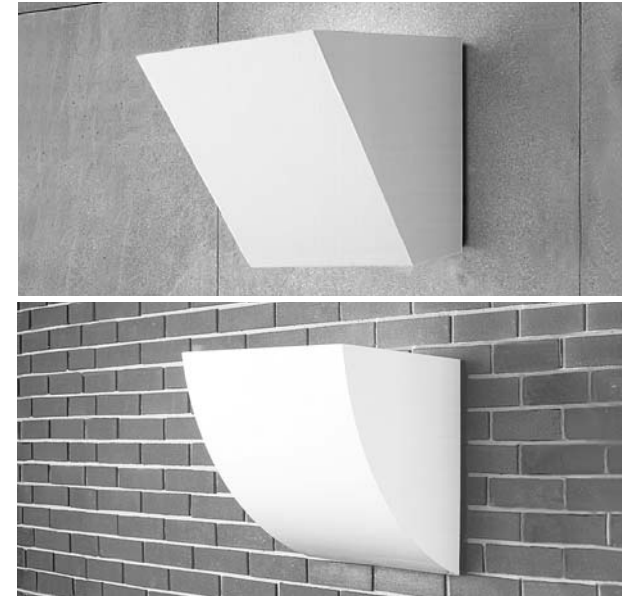
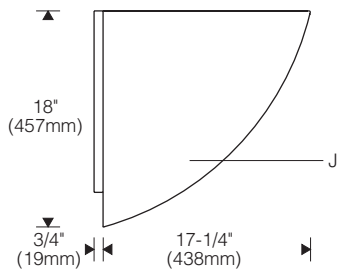
Mounting Plate 1:16 Scale



Enclosure Wall Plate



OLN Enclosure



Specifications

- | | | | |
|---|--|--|---|
| A Mitred extruded aluminum door frame | D Clear, flat, thermal and impact resistant tempered glass lens | H Stainless steel latch/hinge mounting plate | L Aluminum wall plate |
| B Precured silicone door and lens gasket | E Cast end plates | J Stainless steel sconce enclosure (ordered separately) | M Specular extruded aluminum reflector |
| C Tamper-resistant captive door screws | F Locking set screw | K Concealed drainage slot | N Extruded aluminum ballast housing |
| | G Aluminum sidearms | | O Recessed outlet box |

Features

- Choice of crisp geometric housings in brushed stainless steel or thermoset polyester powder coat finish
- Non corrosive – aluminum and stainless steel construction
- Adjustable – tailor performance to surface and setback
- Optimum metal halide performance – high output position oriented lamp; end-of-lamp aligner; CWA ballast



Finish:

Exterior of base luminaire and mounting plates finished semi-gloss black. Enclosure finish specified separately.

Exterior surfaces – 6 stage pretreatment and electrostatically applied thermoset polyester powder coating for a durable abrasion, fade and corrosion resistant finish.

Reflector and internal end plates – extruded high purity aluminum with clear anodized specular finish. All hardware and components – non-corrosive stainless steel or aluminum. Door secured with captive tamper-resistant (#10 Torx) screws in stainless steel threaded reflector inserts to prevent seizing.

Enclosure (ordered separately):

Seam welded, ground smooth stainless steel with rolled edges to eliminate "oil canning." Brushed finish or thermoset polyester powder coat in choice of semi-gloss colors (see ordering information). Aluminum mounting plate forms a black reveal at the wall to conceal the drainage slot and delineate the form.

Mounting:

Latch/hinge mounting plate fastens over recessed outlet box. For wall mounting only; suitable backing structure required. Fixture hinges on wall plate for hands-free access to splices.

Electrical:

Use 90°C wire for supply connections. Leads exit reflector and enter ballast housing through watertight flush cord entries and silicone coated fiberglass sleeving.

Metal halide – Mogul lampholder is pulse rated for use with either horizontal or universal position reduced envelope pulse start lamps. End-of-lamp aligner ensures consistent optical performance, minimizes damage from shock or vibration. Ballast – integral HPF constant wattage autotransformer (CWA) or electronic each rated for -20°F/-29°C starting.

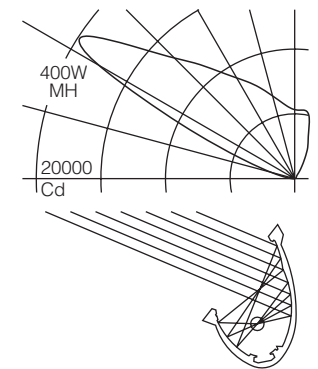
For complete ballast specifications, see Accessories Section.

Standard:

UL listed or CSA certified for wet locations.

Performance

Two parabolic reflector sections drive light across the overhead plane from one edge. An elliptical section redirects its light to a parabola and shields the lamp. Asymmetry is maximized resulting in high beam efficiency and superior surface uniformity. The fast "runback" minimizes wasted spill light. Wide lateral distribution permits greater spacings.



For complete photometrics, visit thelightingquotient.com

To form a Catalog Number

M | 4 | 5 | 4 | - | | | | | - | W | 0 | 8 | - | | | | |
 1 2 3 4 5 6 7 8

1 Source

M = Metal halide

2 Style

454 = Large outdoor Ensconce® base unit, integral ballast

3 Lamp

Lamp Code	Wattage	Lamp Number	Voltages
-----------	---------	-------------	----------

Ceramic Arc Tube Pulse Start Metal Halide (90+ CRI) 

210C	210	CDM210/T9/930/U/E	2, U
315C	315	CDM315/T9/930/U/E	2, U

Ceramic Arc Tube Pulse Start Metal Halide (80+ CRI)*  

150G	150	CDM150/T6/830	1, 2 T, U
250C	250	CMH250/U/830/R	A, B
400C	400	CMH400/U/830/R	A, B
240C	2x400	(2) CMH400/U/830/R	A, B

Quartz Arc Tube Pulse Start Metal Halide (68 CRI)* 

250P	250	MS 250W/H75/T15/PS/740	A, B 2, U
320P	320	MS 320W/H75/T15/S/PS/740	A, B 2, U
350P	350	MS 350W/H75/T15/PS/740	A, B 2, U

For complete lamp and ballast information, see Accessories Section.
 * Use only clear metal halide horizontal or universal position lamp with compact envelope. Standard lamp colors are 3000K for Ceramic Arc Tube Pulse Start lamps and 4000K for Quartz Arc Tube Pulse Metal Halide lamps.

4 Mounting

W = Latch/hinge mounting plate fastens over recessed outlet box. Wall mounting only.

Note: Enclosure wall plate (supplied with enclosure) mounts between latch/hinge plate and wall.

Project: _____

5 Finish

08 = Semi-gloss black (base luminaire).
 Note: Specify enclosure finish separately.

6 Voltage

Electronic (Metal Halide only): Magnetic:
 1 = 120V A = 120V
 2 = 277V B = 277V
 T = 120V dim*
 U = 208-277V dim*

*100-50% dimming, 0-10V compatible controls by others.
 Consult factory for dimming the 210W lamp.

7 Option (See Accessories Section for specifications)

00 = No options
 0R = Halogen standby lamp with integral relay. 100W maximum (lamp included). Not available for 2x400W.
 TL = Micro-prismatic tempered glass lens (replaces clear, flat lens, offers smoother light pattern at reduced peak candlepower).
 XX = For modification not listed, include detailed description. Consult factory prior to specification.

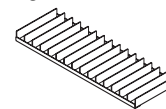
8 Destination Requirement

0 = UL listed or CSA certified for U.S.
 J = UL listed or CSA certified for Canada

Accessories

Order separately. See Accessories Section for specifications.

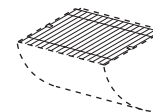
AE | V | 0D0 = External vertical blade baffle, black, for lengthwise shielding
 2 = 25° shielding
 4 = 45°
 D = 150W-400W MH
 F = 2x400W MH



AFK00X | = Ballast fuse kit
 0 = U.S.
 J = Canada



OPG00 | 0 = Wire paper guard
 02 = 150W-400W MH
 03 = 2x400W MH



Type: _____

Enclosures

Order separately. Wall mounting plate included.

OLN | | 00
 D = 150W-400W MH
 F = 2x400W MH
A Finish



OLO | | 00
 D = 150W-400W MH
 F = 2x400W MH
A Finish



A Enclosure Finish

02 = Semi-gloss white 99 = Custom RAL or computer matched color to be specified, consult sales representative.
 06 = Dark bronze
 07 = Silver
 08 = Semi-gloss black
 12 = Green
 14 = Brushed stainless steel

Example

M454 - 240C - W - 08 - B - 000

Large outdoor Ensconce® base unit for use with two 400 watt ceramic arc tube pulse start metal halide lamps. Latch/hinge mounting plate for attachment over recessed outlet box (by others). Semi-gloss black powder coat finish. Two integral 277V ballasts. UL listed or CSA certified for U.S. Order enclosure separately.

