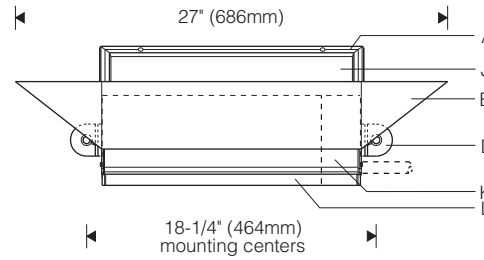
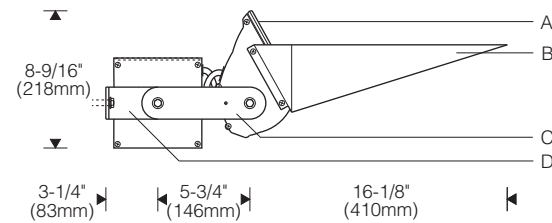
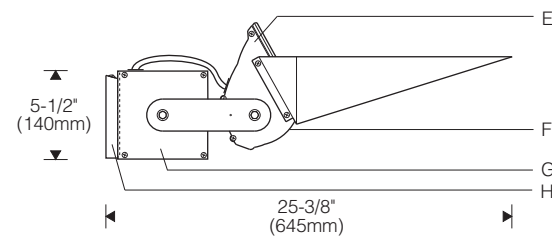


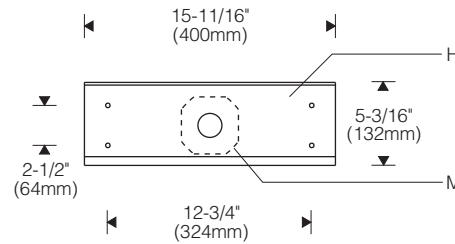
S Mount: 1:12 Scale



W Mount: 1:12 Scale



Mounting Plate (W mount, wall only)



Specifications

- | | | | |
|---|---|--|--|
| A Mitred extruded aluminum door with silicone gasket | D Aluminum mounting feet | H Stainless steel latch/hinge mounting plate (black) | K Internal splice compartment (S mount) |
| B Formed aluminum flared cutoff visor | E Contoured aluminum end plates | J Clear, flat, thermal and impact resistant tempered glass lens | L Extruded aluminum ballast housing |
| C Die-cast side arms | F Specular extruded aluminum reflector | | M Recessed outlet box (by others) |
| | G Die-cast end plates | | |

Finish:

Exterior surfaces - 6 stage pretreatment and electrostatically applied thermoset polyester powder coating for a durable abrasion, fade and corrosion resistant finish. Choice of semi-gloss colors (see ordering information).

Reflector and internal end plates - extruded high purity aluminum with clear anodized specular finish. All hardware and components - non corrosive stainless steel or aluminum. Door secured with captive tamper-resistant (#10 Torx) screws in stainless steel threaded reflector inserts to prevent seizing.

Mounting:

S mount - L-shaped mounting feet attach under sidearms. 13/32" dia. (10mm) clearance holes (3/8" fasteners by others).

W mount - latch/hinge mounting plate fastens over recessed outlet box and allows hands-free access to splices (1/4" fasteners by others). For wall mounting only.

Suitable backing structure required (by others).

Standard:

Suitable for protected outdoor locations such as parking garages and under canopies. Reflector is sealed for wash-down. UL listed or CSA certified for damp locations.

REV. 4/04

Electrical:

Use 90°C wire for supply connections.

S mount - internal splice compartment with two 1/2" NPT entries (right end plate when facing lens; conduit and fittings by others).

W mount - latch/hinge mounting plate allows hands free access to splices in recessed outlet box (by others).

Lamp leads exit reflector and enter ballast housing through watertight flush cord entries and silicone coated fiberglass sleeving.

250, 400W metal halide - position oriented mogul lampholder for use with either horizontal or universal position lamp. 150W - pulse rated medium base lampholder. End-of-lamp aligner ensures consistent optical performance, minimizes damage from shock or vibration.

Integral HPF ballast rated for -20°F/-29°C starting. 250, 400W - constant wattage autotransformer; 150W - high reactance autotransformer (electronic ballast optional).

Features

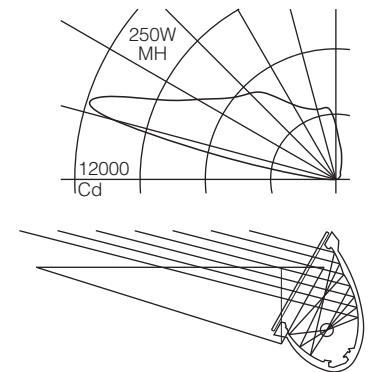
- Unique asymmetric performance - creates expansive planes of light to eliminate glare and minimize shadows
- Mounting flexibility - wall plate over J-box or mounting feet with surface conduit
- Built to last - all aluminum and stainless steel components; tempered glass lens, tamper-resistant door screws



Performance

Two parabolic reflector sections drive light across the overhead plane from one edge.

An elliptical section redirects its light to a parabola and shields the lamp. Asymmetry is maximized resulting in high beam efficiency and superior surface uniformity. The fast "runback" minimizes wasted spill light. Wide lateral distribution permits greater spacings.



For complete photometrics, see www.elliptipar.com.

elliptipar

