

**Fluorescent Remote Ballast Dimensions**

Lamp Type	Ballast Type	Lamp Watts	Max. Wire Distance <sup>①</sup>	Overall Dimensions			Mounting Dimensions		Minimum Starting Temp.	Diagram	Notes
				Length (A)	Width (C)	Height (H)	Length (B)	Width (D)			
1 light Hex tube	Electronic	1x32, 1x42	9'	9"	4-3/16"	3-1/2"	8"	3"	0°F	1	②
2 light Hex tube	Electronic	2x32, 2x42	9'	9"	4-3/16"	3-1/2"	8"	3"	0°F	1	②
T5	Electronic	14, 21, 28, 35	18'	22"	3-3/8"	2-1/2"	21-3/16"	2"	0°F	1	②
T5 HO	Electronic	24, 39, 55, 80	18'	22"	3-3/8"	2-1/2"	21-3/16"	2"	0°F	1	②
T8	Electronic	17, 25, 32, 40	18'	13-7/8"	3-3/8"	2-1/2"	13"	2"	0°F	1	②
T12HO	Magnetic	45, 60, 75, 85, 110	see below	18-3/8"	4-3/16"	3-1/2"	17-3/8"	3"	-20°F	1	
T12VHO	Magnetic	110, 160, 215	see below	21"	4-3/16"	3-1/2"	20"	3"	-20°F	1	

**Notes:**

① Distance shown is for maximum one-way wire length from ballast to furthest lamp socket. Depending on the length of lamp/reflector and exit location of the wire leads, the maximum distance from luminaire to ballast will be less. See individual luminaire data pages for maximum remote ballast mounting distance.

② Manufacturer/model of furnished electronic ballast(s) shall be at **elliptipar**'s discretion and shall meet or exceed the following criteria:

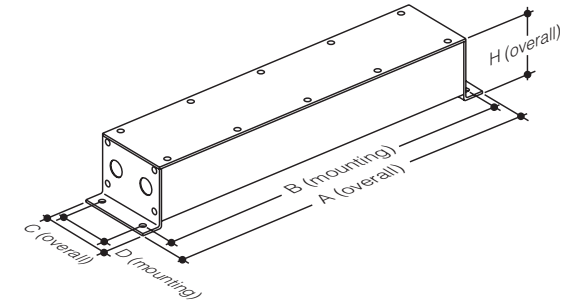
- Total harmonic distortion (THD) < 10%
- Power factor (PF) > 0.90
- Ballast factor (BF) > 0.85
- Current crest factor (CF) < 1.7
- Sound rating A or better
- ANSI, IEEE, and FCC compliant for electronic interference (EMI) and radio frequency interference (RFI)
- UL listed or CSA certified depending upon destination
- Minimum 3 year ballast manufacturer's limited warranty

For a specifically named ballast manufacturer and/or model, consult your local sales representative for availability and lead time.

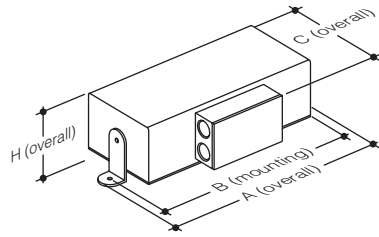
**Remote Ballast Installation:**

- Use wire rated for at least 90°C for supply connections.
- When installing more than one ballast in a common area, maintain minimum six inch spacing between ballasts. Provide ventilation in area where ballasts are installed.

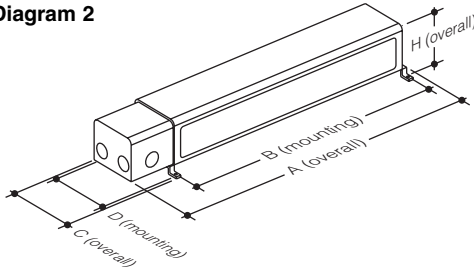
**Diagram 1**



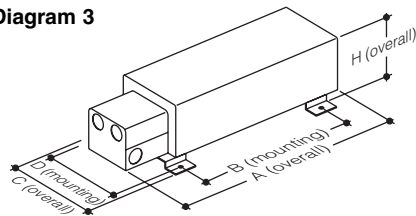
**Diagram 1**



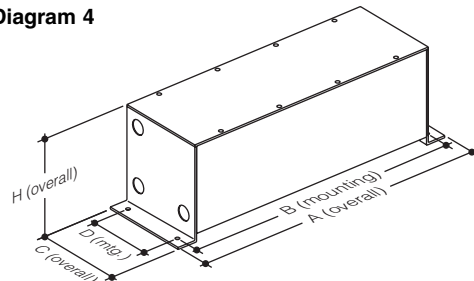
**Diagram 2**



**Diagram 3**



**Diagram 4**



**HID Remote Ballast Dimensions**

Lamp Watts	Mounting Location ④	Ballast Type	Overall Dimensions			Mounting Dimensions		Starting Temp.	Diagram	Notes
			Length (A)	Width (C)	Height (H)	Length (B)	Width (D)			
<b>Metal Halide</b>										
35W	wet location (standard)	HX-HPF, open core & coil	13-7/16"	6-3/8"	4"	12-3/16"	n/a	-20°F	1	①
	dry location (optional)	HX-HPF, encapsulated	14"	4-1/2"	3"	11-1/8"	4"	-20°F	2	① ②
70W	wet location (standard)	HX-HPF, open core & coil	13-7/16"	6-3/8"	4"	12-3/16"	n/a	-20°F	1	①
	dry location (optional)	HX-HPF, encapsulated	14"	4-1/2"	3"	11-1/8"	4"	-20°F	2	① ②
150W	wet location (standard)	HX-HPF, open core & coil	13-7/16"	6-3/8"	4"	12-3/16"	n/a	-20°F	1	①
	dry location (optional)	HX-HPF, encapsulated	16-5/8"	4-1/2"	3"	13-3/4"	4"	-20°F	2	① ②
175W	wet location (standard)	CWA, open core & coil	18-1/8"	5-1/2"	6-1/4"	17-1/8"	4"	-20°F	4	
	dry location (optional)	CWA, encapsulated	16-5/8"	4-1/2"	3"	13-3/4"	4"	-20°F	2	②
250W	wet location (standard)	CWA, open core & coil	18-1/8"	5-1/2"	6-1/4"	17-1/8"	4"	-20°F	4	
	dry location (optional)	CWA, encapsulated	19"	4-1/2"	3"	16-1/8"	4"	-20°F	2	②
400W	wet location (standard)	CWA, open core & coil	18-1/8"	5-1/2"	6-1/4"	17-1/8"	4"	-20°F	4	
	dry location (optional)	CWA, encapsulated	21-1/2"	4-1/2"	3"	18-5/8"	4"	-20°F	2	②
2x400W	wet location (standard)	CWA, open core & coil	25-3/16"	5-1/2"	6-1/4"	24-3/16"	4"	-20°F	4	③
	dry location (optional)	(2) CWA, encapsulated	21-1/2" ea.	4-1/2" ea.	3" ea.	18-5/8" ea.	4" ea.	-20°F	(2) 2	②

**High Pressure Sodium**

150W	wet location (standard)	HX-HPF, open core & coil	18-1/8"	5-1/2"	6-1/4"	17-1/8"	4"	-40°F	4	
	dry location (optional)	HX-HPF, encapsulated	16-5/8"	4-1/2"	3"	13-3/4"	4"	-40°F	2	②
250W	wet location (standard)	CWA, open core & coil	18-1/8"	5-1/2"	6-1/4"	17-1/8"	4"	-40°F	4	
	dry location (optional)	CWA, encapsulated	21-1/2"	4-1/2"	3"	18-5/8"	4"	-40°F	2	②
400W	wet location (standard)	CWA, open core & coil	18-1/8"	5-1/2"	6-1/4"	17-1/8"	4"	-40°F	4	
	dry location (optional)	CWA, open core & coil	18-1/8"	5-1/2"	6-1/4"	17-1/8"	4"	-40°F	4	
2x400W	wet location (standard)	CWA, open core & coil	25-3/16"	5-1/2"	6-1/4"	24-3/16"	4"	-40°F	4	③
	dry location (optional)	CWA, open core & coil	25-3/16"	5-1/2"	6-1/4"	24-3/16"	4"	-40°F	4	③

**Notes:**

① 35W, 70W and 150W metal halide luminaires with remote ballast are supplied with 5' leads. If luminaire-to-ballast distance is to be greater than 5', the following precautions must be followed:

- Limit the total wire length between lamp and ballast to the maximum marked on the ballast (see chart below).
- Use UL listed / CSA certified 600V wirenuts for splices.
- Maintain a minimum 3/8" clearance between splices and grounded metal.
- Use 600V wire sized and enclosed in accordance with local and national electric codes.
- Do not run wires close to grounded metal or around sharp corners without an additional insulating sleeve over the "hot" wire (see wiring diagram on instruction sheet or ballast).

② Maximum dimensions are shown for reference only. Exact dimensions vary with ballast manufacturer.

③ Luminaire supplied with two ballasts enclosed in a single housing.

④ See individual data page for complete explanation of option codes.

**Remote Ballast Installation:**

- Use wire rated for at least 90°C for supply connections.
- When installing more than one ballast in a common area, maintain minimum six inch spacing between ballasts. Provide ventilation in area where ballasts are installed.
- When mounting to a vertical surface, mount with wire compartment down.

**Maximum Remote Mounting Distance**

Lamp Watts (ANSI Code)	Ballast Type	Option Code ②			Wire Size *			
		-00	-0D	-0H	#10	#12	#14	#16
<b>Metal Halide</b>								
35W (M130)	HX-HPF	15'	15'	15'-50'				
70W (M98)	HX-HPF	10'	20'	0'-50'				
150W (M102)	HX-HPF	10'	10'	0'-50'				
175W (M57)	CWA				425'	265'	165'	105'
250W (M58)	CWA				300'	190'	120'	75'
400W (M59)	CWA				200'	125'	75'	50'

Lamp Watts (ANSI Code)	Ballast Type	Option Code ④		
		-00	-0D	-0H
<b>High Pressure Sodium</b>				
150W (S55)	HX-HPF	5'	10'	35'
250W (S50)	CWA	5'	10'	50'
400W (S51)	CWA	10'	10'	50'

\* Data furnished by Advance Transformer Co., and does not imply compliance with national and local electrical codes.