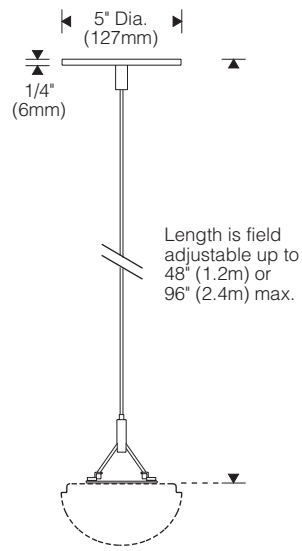
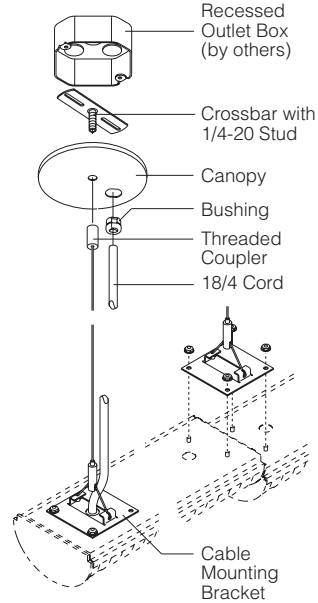
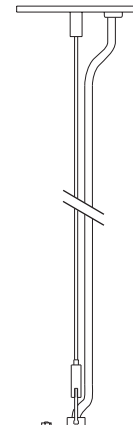


Cable Support Style 144 / 145 linear fluorescent

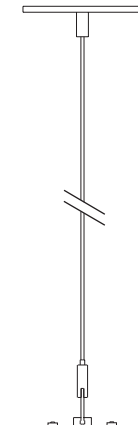
Style F144



Electrical Feed



Non-Electrical



Application:

Suspends Style 144 or 145 T5/T5HO linear fluorescent luminaires below a ceiling plane in a wallwashing orientation. Specify electrical feed and non-electrical cables as required.

Construction:

1/16" dia. 7x7 stranded aircraft cable with 1/4-20 coupler. Y-glider allows cable length to be field adjusted. Electrical feed includes metallic braid 18/4 cord, cord bushings and cable stays. Feed can be located at ends or intermediate joints.

Crossbar with 1/4-20 stud and 5" (127mm) dia. x 1/4" (6mm) deep aluminum canopy provided. Recessed outlet boxes, threaded rod, T-bar clips or alternative 1/4-20 hangers are supplied by installing contractor.

Luminaire mounts with cable sling and mounting brackets provided. Cables at ends of rows (or singles) are located 2-1/2" (64mm) from end. For rows, bracket spans adjacent luminaires, centering the cable on the joint.

Length:

Field adjustable length up to 48" or 96" maximum.

Finish:

Canopy is electrostatically applied thermoset powder coat, matte white. Zinc or cadmium plated mounting hardware.

Ordering Information:

Singles:

Order one non-electrical and one electrical feed hanger for each module (X mount).

Rows:

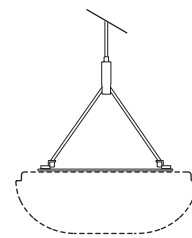
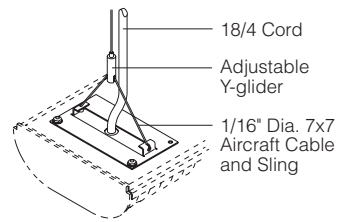
Style F144 – order one non-electrical hanger for each module (X mount) plus one electrical feed for each row.

Style F145 – order one non-electrical hanger for each starter and intermediate/end module (X and Y mount) plus one electrical feed for each starter module (X mount).

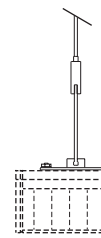
Dimming / Emergency:

For each single or row with dimming (voltage/ballast code T or V), order one additional electrical feed and subtract one non-electrical hanger.

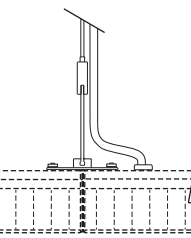
Style F145



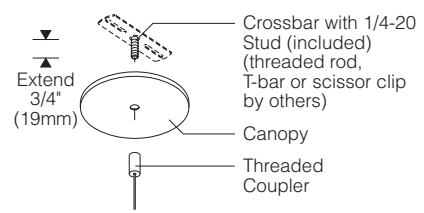
Non-Electrical



Electrical Feed



Non-Electrical Support



V | 22 | 0 = Cable support, Style 144/145

48 = field adjustable up to 48" (1.2m)

96 = up to 96" (2.4m)

R = Non-electrical

S = Electrical feed with metallic braid 18/4 cord

4 = Style F144 one-way fluorescent

5 = Style F145 two-way fluorescent

