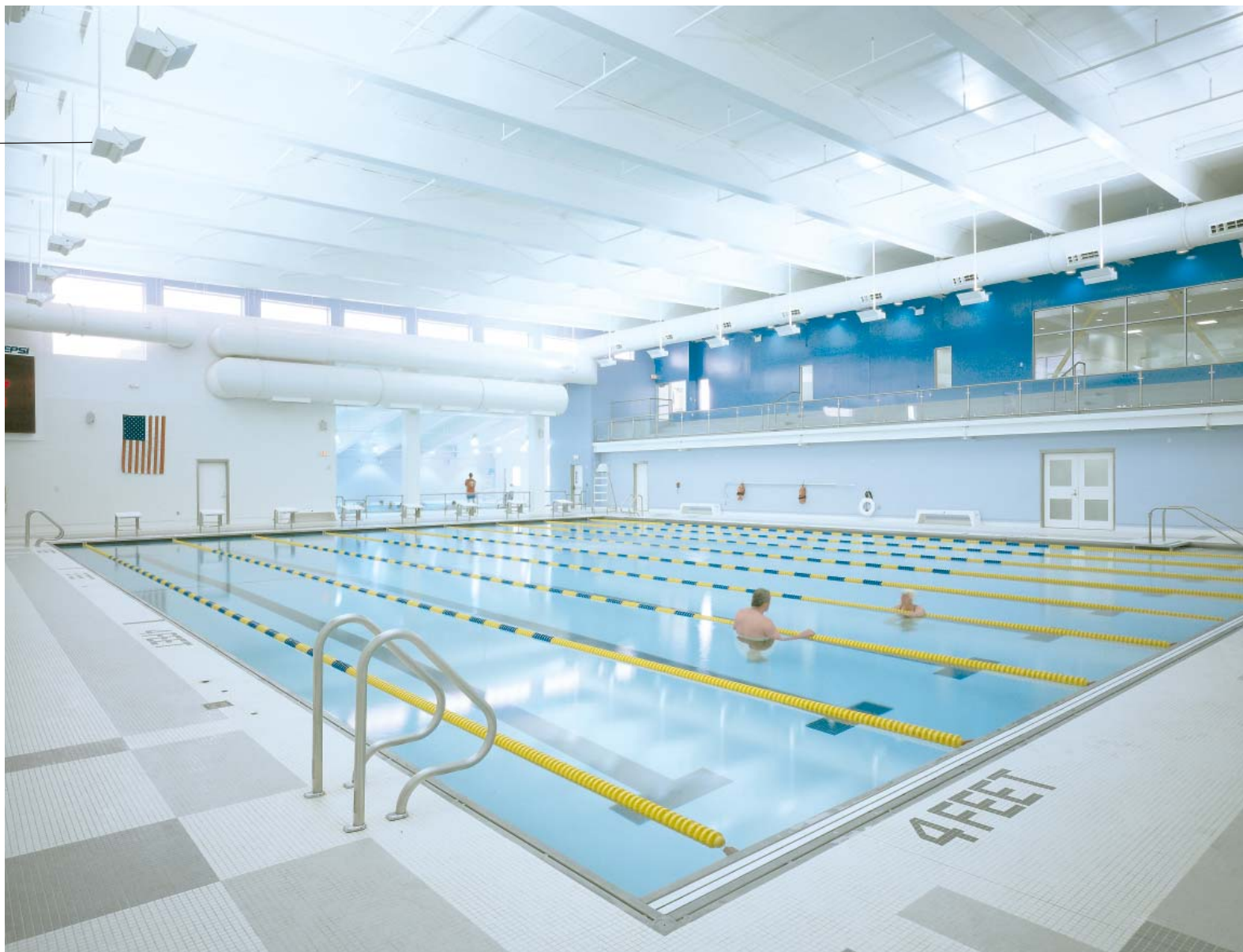


Style M417
Xtra large
on one-way
uplight pendant



Architect: Orcutt Associates
Photography: Brian Vanden Brink

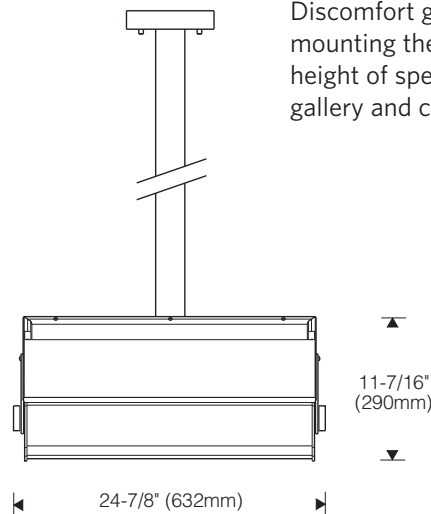
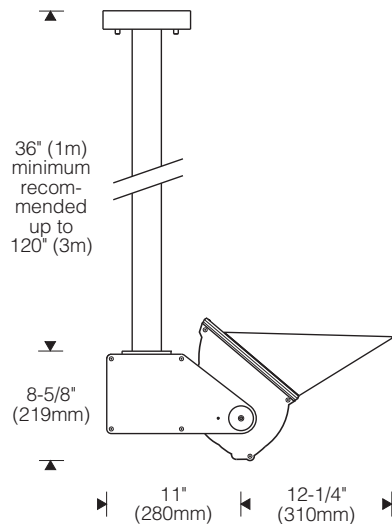
Natorium

Space: 80' x 98', ceiling slopes from 27'-6" up to 29'-6"; 8 lane 25m pool
Lighting: (18) M417-1000-X-02-[voltage]-VP with VPN one-way uplight pendants, 80" and 96" pendant lengths
Estimated average initial illuminance at deck: 75 fc, max : min < 2.4 : 1
Estimated average initial illuminance on ceiling: 150 fc, max : min < 13 : 1
Estimated power density: 2.5 watts per sq. ft.

elliptipar Style M417 Xtra large 1000W

Located on the Maine coast and voted America's prettiest town by forbes.com, Rockport is a mecca for artists, filmmakers and musicians. Serving both the year-round and summer communities, the YMCA offers flexible access to its facility and its many programs.

Lighting the YMCA's natatorium offered the usual challenges for that environment plus the additional need to accommodate an upper level spectator gallery in the design. The high output **Xtra large Style M417** was chosen for its ability to throw an even wash of light across the entire ceiling plane from the perimeter. Cutoff visors protect gallery spectators from discomfort glare. Lighting from the perimeter provides easy access from the pool deck for maintenance and relamping.



Discomfort glare is minimized by mounting the uplights above the eye height of spectators on the upper level gallery and corridor.

VPN one-way uplight pendant features 2" dia. aluminum stem, 7-3/4" dia. x 2" deep aluminum canopy and stainless steel mounting plates (6" bolt circle).

The **Style 417** features all aluminum and stainless steel construction and precured silicone gasketing, making it ideal for corrosive pool environments. An integral encapsulated CWA ballast assures quiet operation. The electrostatically applied thermoset powder coat finish exceeds a 1000 hour salt spray exposure (ASTM B117-90 Salt Spray [Fog] test).