

Style F115
on modified
cantilevers



Architect: Robert A. M. Stern Architects
Lighting Design: Fisher Marantz Stone
Photography: Rob Pepple

Special Collections Reading Room / Ansbacher Map Room

Dimensions: 28' wide x 105' long x 25'-6" high, with wallwashers at 15'-6" a.f.f.
Lighting: (60) F115-T128-X-07-2-0B0 wallwashers (5 each end wall; 25 each sidewall
with snap-in cross-baffle option and modified 24" HSC/HSD cantilever arms
Estimated illuminance on 15' wall surfaces: 24 fc avg. initial, max:min = 11:1
Estimated contribution on 4' wide x 18' long tables: 6 fc avg. initial
Estimated power density of 28W T5 wallwashers: 0.67 W/sf, with ballasts

elliptipar KO Series® Style F115

Cantilevered **Style F115** reflectors with T5HO lamps effectively wash the 15' wall surfaces of the Ansbacher Map Room while maintaining an unobtrusive presence around the space. The leveling feature on the mounting hardware creates a clean linear profile among the interlocking units.

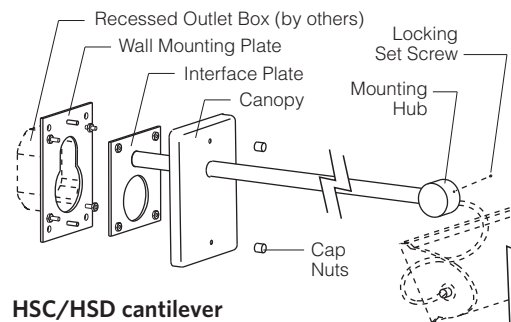
The 'OB' snap-in cross-baffle option provides 35° lengthwise shielding in a space where circulation flow and an unusually tall mounting height might otherwise expose the fluorescent sources to casual views.

The 3000K lamps supplied with the luminaires enhance the color palette of the room, creating a perimeter effect that is both comfortable and inviting.

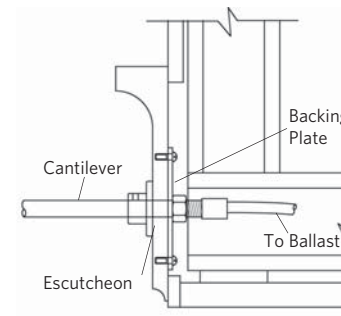


In designated areas with lower mountings, concealed mounting plates behind the bulkhead trims support modified cantilevers with small escutcheons.

Style F115 cantilever accessories feature an accessible canopy cover concealing a mounting plate and interface plate that provide +/- 5° leveling adjustment.



HSC/HSD cantilever accessories



Leveling adjustment

