

e l l i p t i p a r  
**cove**  
l i g h t i n g

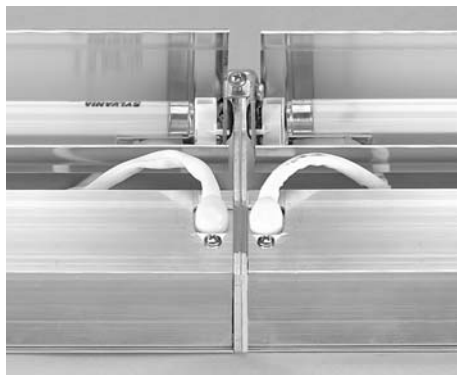
*...there is no equal*

BROWN'S

**elliptipar's** high performance asymmetric reflector projects maximum peak candlepower *out* of the cove and *across* the ceiling for exceptional surface uniformity. Our luminaires offer even illumination in place of the "edge lit" or "bright line" effect produced by conventional cove lighting.

superior performance... adjustability... many styles and lamp types to choose from... **elliptipar** offers luminaires for spaces of any scale, intimate to grand, and any illumination level from diffuse ambient to glare free task lighting... ideal for lighting foyers, reception areas, lobbies, corridors, malls, concourses, sanctuaries, schools, auditoriums, multi-purpose rooms, trading floors, conference rooms and offices, private or open plan, from concealed locations.

cove lighting by **elliptipar** . . . *there is no equal!*



Patented brackets allow all reflectors in a row to be linked and aimed together while minimizing socket shadow. Rotation locking screws secure the aiming.

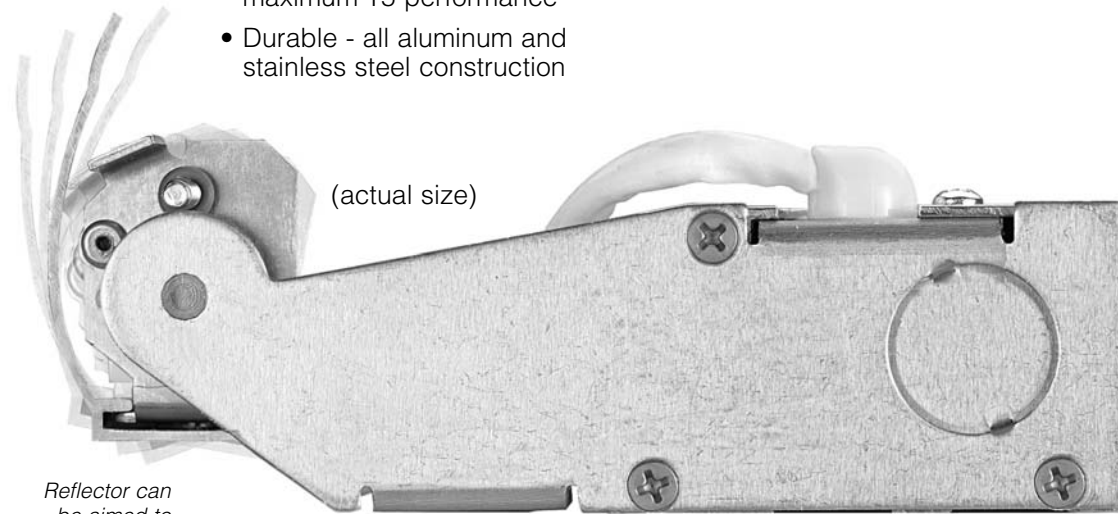
Products shown are UL listed and CSA certified. U.S. Patent No. 5,550,725 and foreign.

### Style F305

T5 fluorescent

#### keeping a low profile

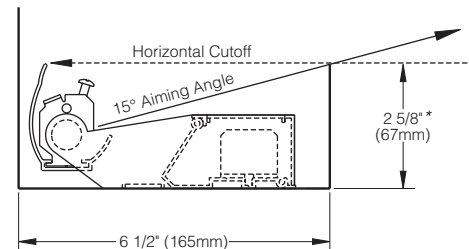
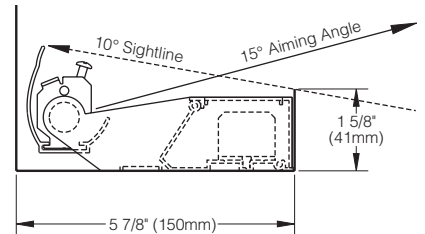
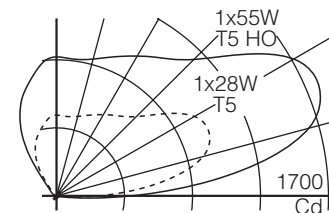
- 2-5/8" (67mm) high for shallow coves
- Reflector engineered for maximum T5 performance
- Durable - all aluminum and stainless steel construction



Reflector can be aimed to adjust for flat, sloped or vaulted ceilings

Installation is easy with integral electronic ballast in a continuous extruded aluminum wireway. KO's at ends allow through wiring. Lay-in mounting requires only one fastener per joint. Units can also be wall or ceiling mounted (see back page).

Modules available from 2' (.6m) to 10' (3.5m). Rows can be specified using one catalog number. For curved coves, use the optional master/satellite units.

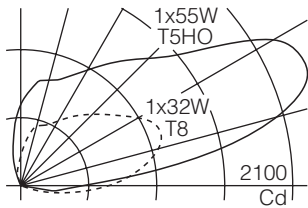
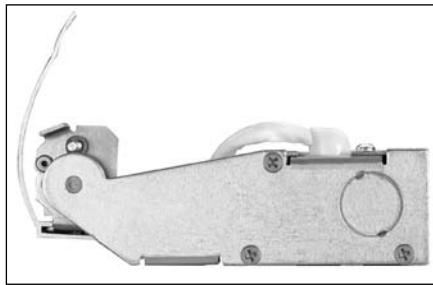


## Style F306

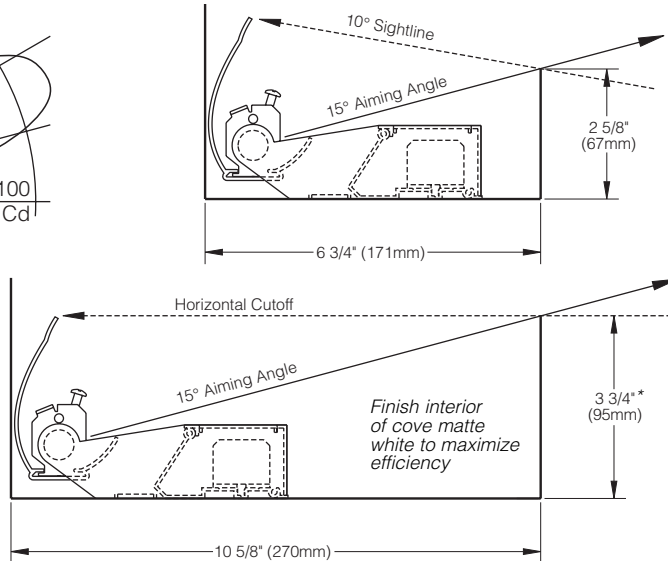
T5 or T8 fluorescent

### exercising your options

- Choose T5 for precise optical control or widely utilized T8
- T5 high output lamps produce up to 72% more light than T8
- Precisely extruded high purity aluminum reflector with clear anodized specular finish
- Integral electronic ballasts, dimming optional (consult representative for availability)
- Optional emergency battery
- 1-lamp reflectors from 2' (.6m) to 5' (1.52m), 2-lamp units from 6' (1.8m) to 10' (3.5m).
- Can be specified by rows



Only **elliptipar** provides an even wash of light from the wall outward with a fast "runback" below peak candlepower to minimize light normally wasted in the cove.



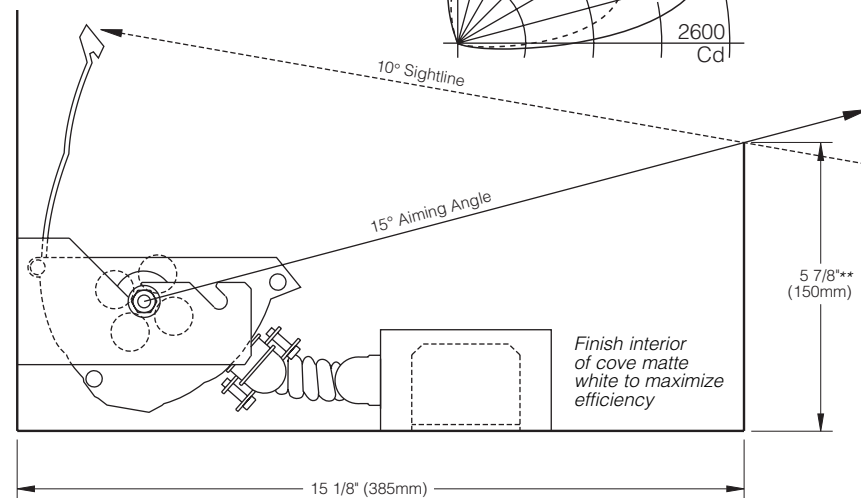
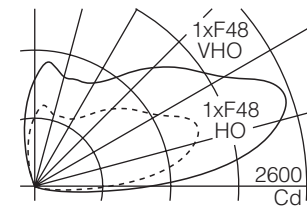
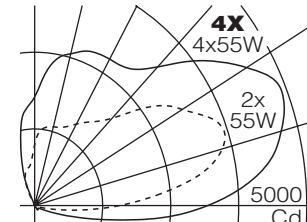
\*Recommended minimum setback from bottom inside of cove to ceiling is 13" (330mm), 19" (480mm) for T5HO.

## Style F302

4X<sup>®</sup> fluorescent

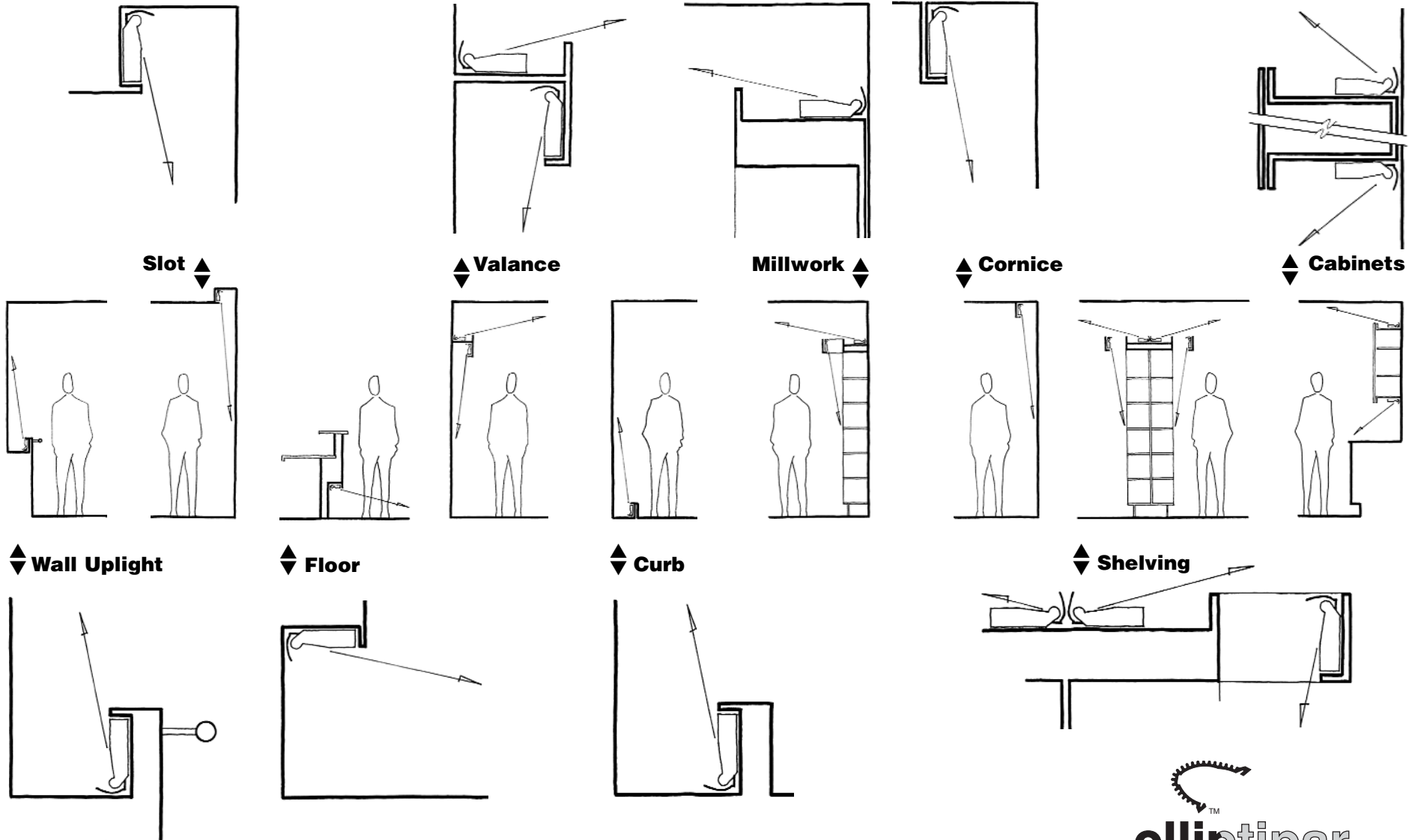
### packing a punch

- Innovative **4X<sup>®</sup>** design (U.S. patents and foreign) positions two long twin-tube lamps in optical center
- Up to eight 55W lamps per reflector; the most powerful fluorescent luminaire available
- High performance asymmetric lighting for larger spaces
- Rugged extruded aluminum reflector holds its shape
- Double slotted "L" brackets for base, wall or ceiling mounting
- Remote electronic ballasts\* for flexibility; dimming optional
- Modules from 2' (.6m) to 8' (2.4m)
- Also available in T12HO / VHO



\*\*Recommended minimum setback from bottom inside of cove to ceiling is 20" (510mm)

... a myriad of other applications for elliptipar's concealed fluorescent



For a demonstration, additional information or application assistance, call your local **elliptipar** representative. For the name of the nearest representative, call our Customer Service Department or visit our Web site.